



audio DESIGN™

# Tavor 5-0

2x30 Watt Powered On-Wall Speaker System



THE **Tavor 5-0** IS A POWERED TWO-WAY SPEAKER SYSTEM DESIGNED FOR INDOOR WALL MOUNTING. THE SYSTEM ACCEPTS A LINE LEVEL STEREO INPUT, AMPLIFIES IT USING A BUILT-IN AMPLIFIER AND OUTPUTS A SPEAKER SIGNAL TO THE PASSIVE SPEAKER.

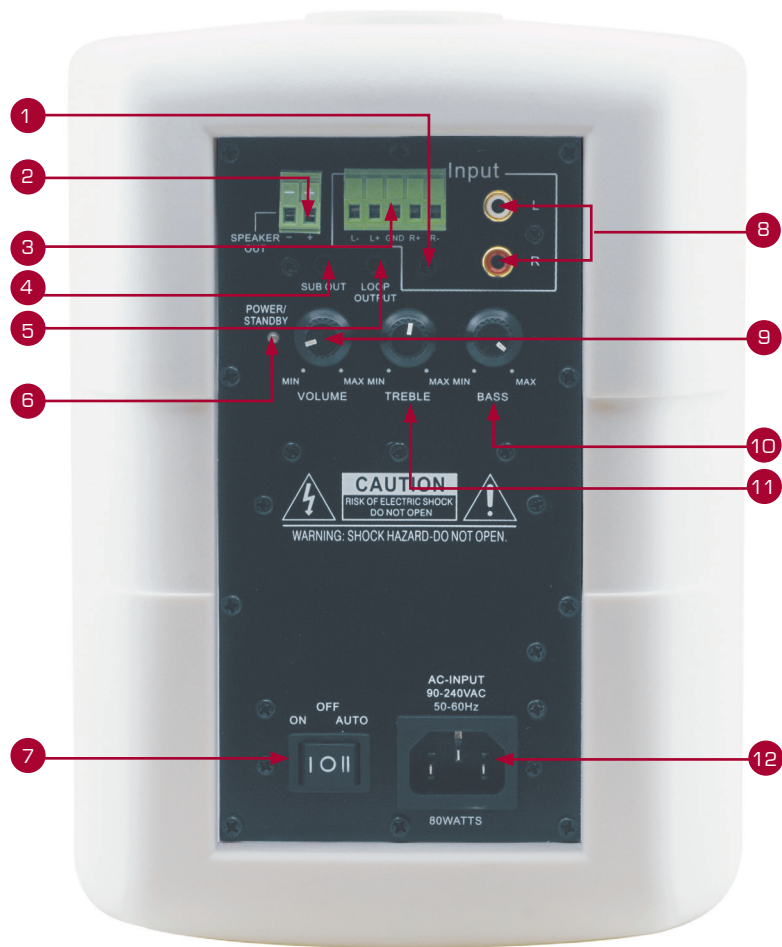
## FEATURES

- **Active Loudspeaker** – Integrated stereo 2x30W amplifier and volume control, no external amplifier needed
- **Inputs** –
  - Line level stereo audio on a 3.5mm connector
  - Balanced stereo on a 5-pin terminal block connector
  - Unbalanced stereo L and R on RCA connectors
- **Outputs** –
  - Passive speaker
  - Sub-woofer
  - Looping output
- **Magnetically Shielded**
- **Enhanced Bass Reflex**
- **Control Panel** – On the back of the active speaker, controls all functions of both speakers – treble, bass and volume
- **Auto Power** – Shuts off when system is not in use

- **Self Adjusting Power Range** – 90 to 240V AC
- **Indoor Wall Mounting**
- **Available in Black or White**
- **Accessories** – 1 pair of U-shaped rotating mounting brackets with 4 mounting bracket screws, 1.8m (6ft) power cord, 4m (13ft) loudspeaker cable and a 2m (6.6ft) RCA cable

## APPLICATIONS

- Conference Rooms
- Boardrooms
- Schools and University Classrooms
- Presentation Venues
- Home Theater



1	<b>3.5mm Mini Jack</b>	Connects to a stereo audio line input
2	<b>Speaker Out Connectors</b>	Connects to the input sockets on the passive speaker
3	<b>5-Pin Terminal Block</b>	Connects to a balanced stereo audio input
4	<b>Sub Out 3.5mm Mini Jack</b>	Connects to an active sub-woofer for maximum bass reproduction
5	<b>Loop Output 3.5mm Mini Jack</b>	Connects to another pair of active speakers
6	<b>Power/Standby LED</b>	POWER ON or AUTO lights green, standby lights red
7	<b>Power Switch</b>	Turns the unit ON (I), OFF (O) or AUTO shutoff (II)
8	<b>L &amp; R RCA</b>	Connects to an unbalanced stereo audio input
9	<b>Volume Control Knob</b>	Adjusts the audio volume
10	<b>Bass Control Knob</b>	Adjusts the bass
11	<b>Treble Control Knob</b>	Adjusts the treble
12	<b>AC Input Power Supply</b>	Connects to the AC power cord

## SPECIFICATIONS

---

DESCRIPTION:	2-way powered speaker.
BUILT IN POWER AMPLIFIER:	2x30W RMS, 2x80W continuous program.
FREQUENCY RESPONSE:	75Hz to 20kHz @-10dB, 100Hz to 20kHz @±3dB.
WOOFER:	5 1/4" polypropylene cone with rubber edge woofer.
TWEETER:	1/2" Mylar dome tweeter.
SENSITIVITY:	85dB SPL, 1W @1m.
MAX SPL:	Continuous: 105dB, peak: 110dB.
POWER SOURCE:	90-240V AC, 50/60Hz.
CROSSOVER FREQUENCY:	8kHz.
DIRECTIVITY FACTOR (Q):	5.8 averaged 1kHz to 10kHz.
DIRECTIVITY INDEX (DI):	7.6dB averaged 1kHz to 10kHz.
INPUT CONNECTORS:	Line level unbalanced stereo audio on a 3.5mm mini jack, line level balanced stereo audio on a terminal block connector, line level unbalanced stereo audio on left and right RCA connectors.
OUTPUT CONNECTORS:	Speaker (to connect to the external passive speaker), 3.5mm mini jack lineout for optional sub-woofer, 3.5mm mini jack loop output.
DAMPING FACTOR:	>100 @8Ω/400Hz.
S/N RATIO:	>83dB.
THD:	<0.2%.
CONTROLS:	Volume, bass and treble.
STANDBY MODE POWER CONSUMPTION:	0.7W.
INPUT SIGNAL FOR SYSTEM "WAKE-UP" FROM STANDBY MODE:	+8mV to +11mV.

## SHIPPING AND INSTALLATION

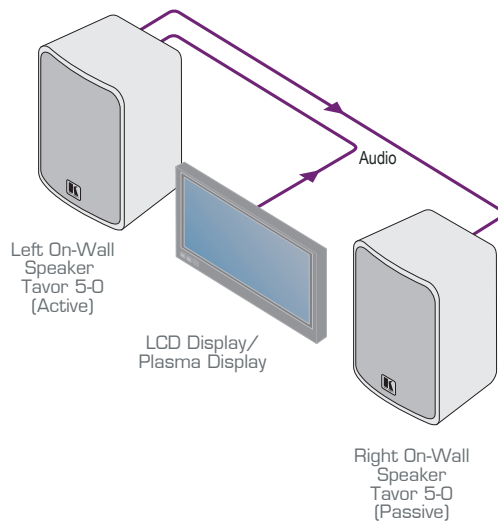
---

MATERIALS:	Aluminum grill, steel frame and brackets, ABS cabinet.
WEIGHT PER SINGLE SPEAKER:	Active speaker: 2.7kg (5.95lbs) approx.
PASSIVE SPEAKER:	2.2kg (4.85lbs) approx.
WEIGHT WITH MOUNTING KIT:	Active Speaker: 3.1kg (6.83lbs) approx.
PASSIVE SPEAKER:	2.6kg (5.73lbs) approx.
SHIPPING WEIGHT (FOR PAIR):	6kg (13.23lbs) approx.
DIMENSIONS:	18.3cm x 17cm x 24.4cm (7.2" x 6.7" x 9.6") W, D, H.
DIMENSIONS WITH MOUNTING BRACKETS:	18.3cm x 17.2cm x 26.5cm (7.2" x 6.8" x 10.4") W, D, H.
INSTALLATION CLEARANCE:	Front panel to wall (with mounting bracket): 22cm (8.7in).
BACK PANEL TO WALL (WITH MOUNTING BRACKET):	4.5cm (1.8in).
ACCESSORIES:	1 pair of U-shaped rotating mounting brackets with 4 mounting bracket screws, 3m (9.84ft) power cord, 4m (13.12ft) loudspeaker cable and a 2m (6.6ft) 3.5mm to 2 RCA cable.
COLORS:	Available in white or black.

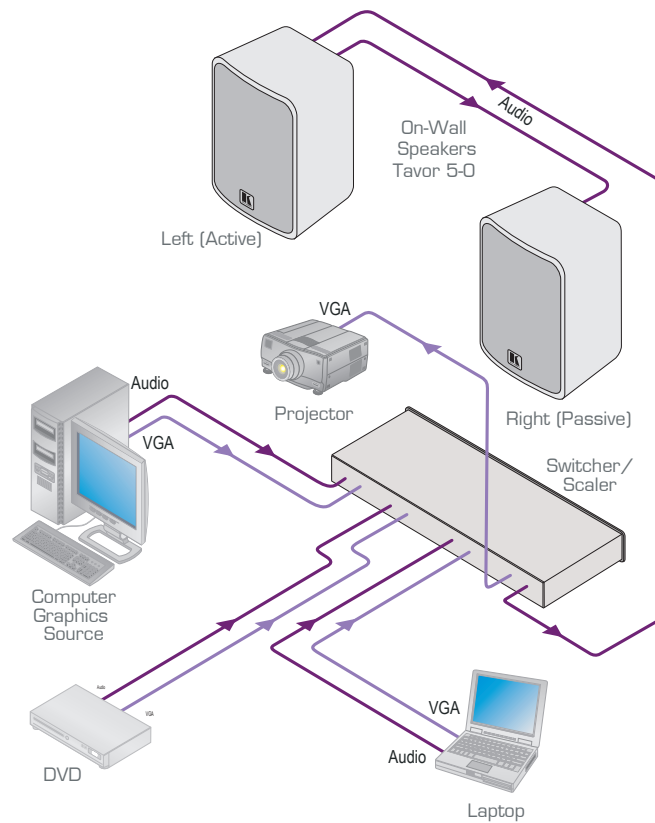
Note: Specifications are within 10% tolerance and are subject to change without notice at <http://www.kramerelectronics.com>



## Active On-Wall Speakers in a Home Theater Setup

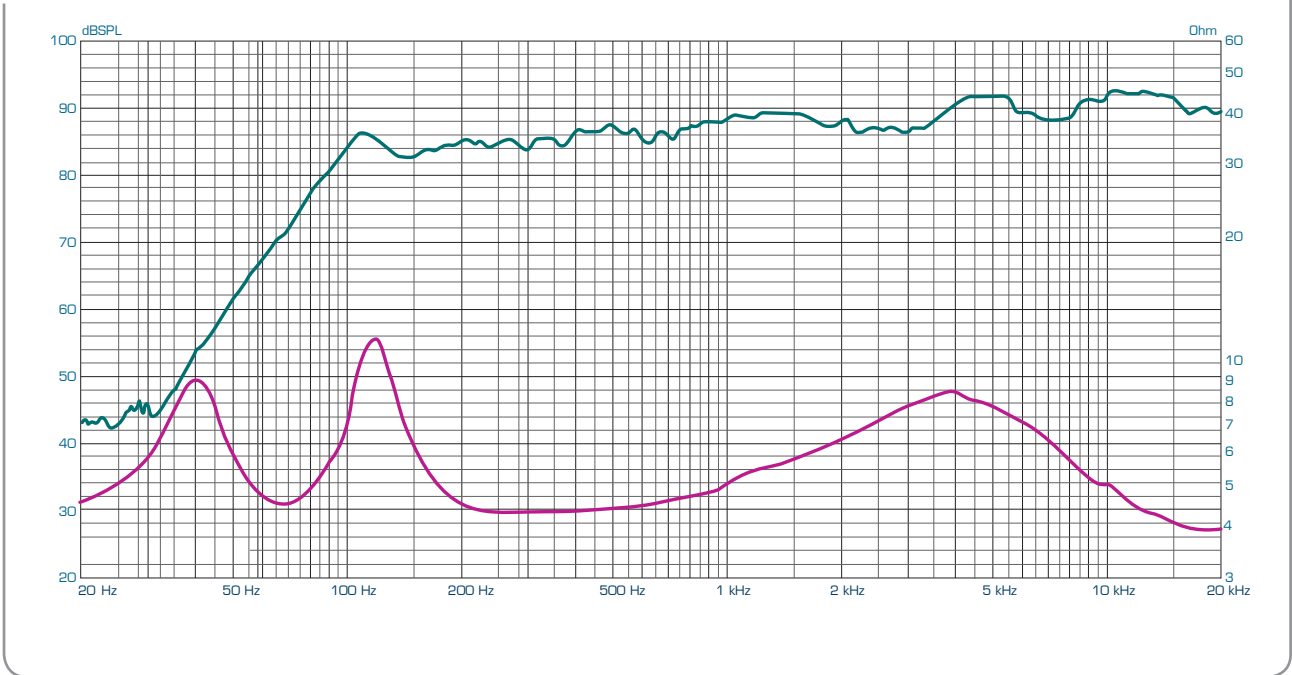


## Active On-Wall Speakers in a Conference Room Setup

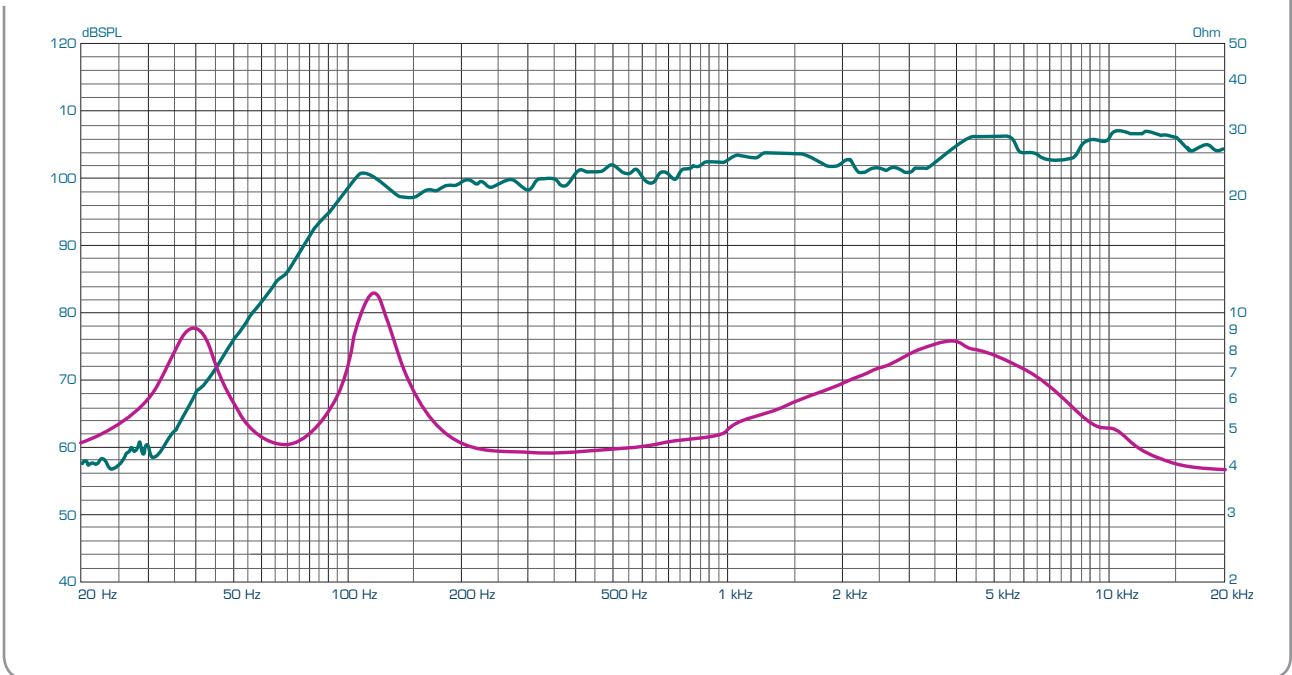




SPL vs Frequency - 1 Watt @ 1 Meter



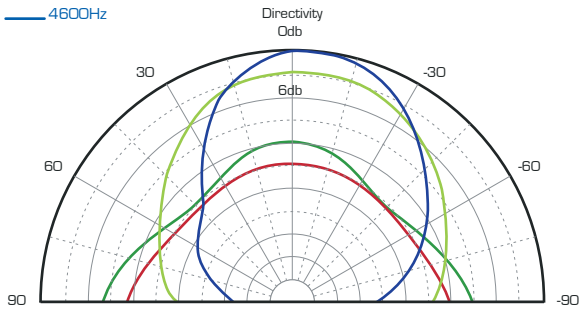
SPL vs Frequency - 30 Watt @ 1 Meter



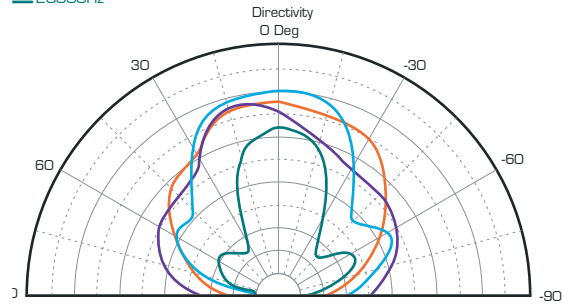


## Polar Graphs - Horizontal

— 400Hz  
— 800Hz  
— 1200Hz  
— 4600Hz

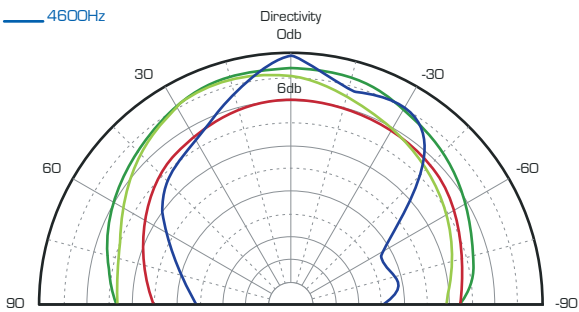


— 6400Hz  
— 10000Hz  
— 15000Hz  
— 20000Hz

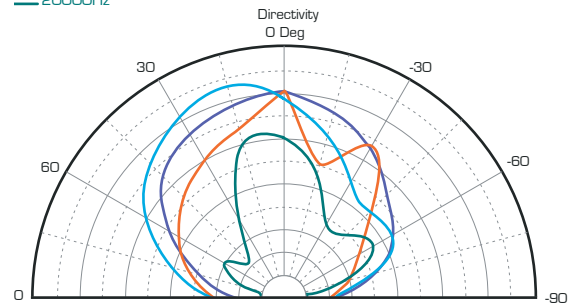


## Polar Graphs - Vertical

— 400Hz  
— 800Hz  
— 1200Hz  
— 4600Hz

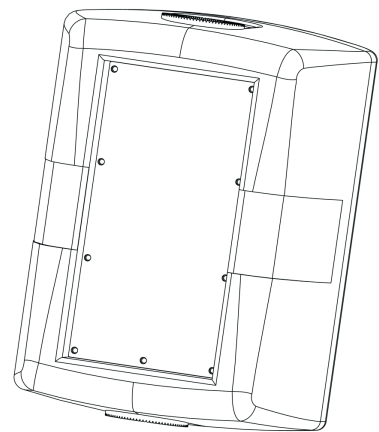
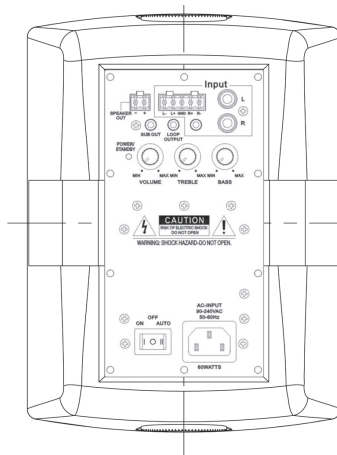
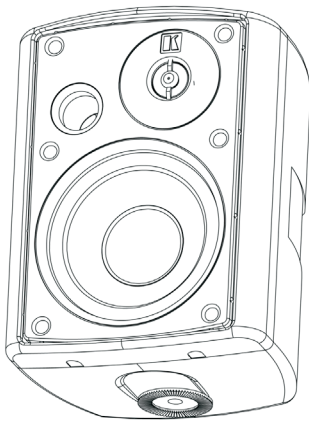
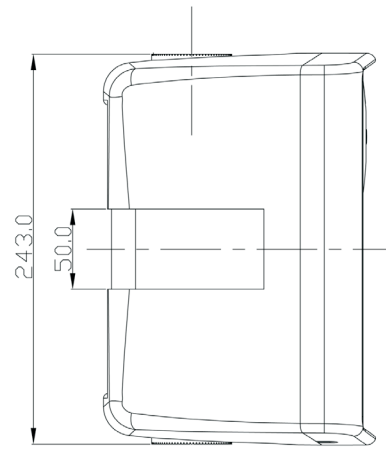
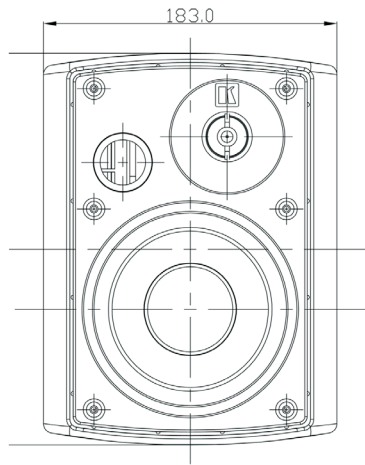
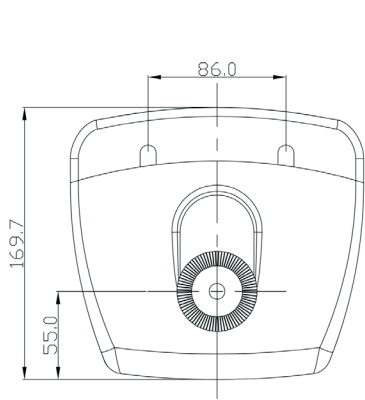


— 6400Hz  
— 10000Hz  
— 15000Hz  
— 20000Hz





# Technical Drawing - Active Speaker





**KRAMER ELECTRONICS, Ltd.**  
3 Am VeOlamo St.  
Jerusalem, Israel, 9546303  
Tel: + 972 73 265 0200  
Fax: + 972 2 653 5369  
E-mail: info@kramerel.com  
Web: www.kramerelectronics.com

**KRAMER ELECTRONICS USA, Inc.**  
**HEADQUARTERS**  
6 Route 173 West  
Clinton, NJ 08809, USA  
Tel: (908) 735 0018  
(888) 275 6311  
Fax: (908) 735 0515  
Tech Support after 6pm EST:  
(888) 275 6311  
E-mail: info@kramerus.com  
Web: www.kramerus.com

**SIERRA VIDEO INTERNATIONAL,  
SALES and TECHNICAL SUPPORT**  
PO Box 2462, Grass Valley, CA, 95945, USA  
Toll-free: (888) 886-8875  
Tel: (530) 478-1000  
Fax: (530) 478-1105  
E-mail: info@sierravideo.com  
Tech Support - Worldwide:  
Tel: (530) 478-1000  
After Hours: (530) 888-3195  
E-mail: service@sierravideo.com  
Web: www.sierravideo.com

**KRAMER ELECTRONICS EUROPE SA**  
Rue du Roussart, 2  
B-1410 Waterloo, Belgium  
Tel: + 32 2 357 01 40  
Fax: + 32 2 357 01 49  
E-mail: info.kramee@skynet.be

**KRAMER ELECTRONICS UK, Ltd.**  
2 Premus, Coldharbour Way,  
Aylesbury, Bucks. HP19, 8AP, UK  
Tel: + 44 1296 330011  
Fax: + 44 1296 330055  
E-mail: info@kramerelectronics.co.uk  
Web: www.kramerelectronics.co.uk

**KRAMER ELECTRONICS FRANCE S.A.S.**  
Z.I de la Bonde - Parc de la Roseraie - Bat F  
15 rue du Buisson aux Fraises,  
91300 Massy, France  
Tel: + 33 (0)1 69 75 29 80  
Fax: + 33 (0)1 60 11 76 94  
E-mail: info@kramerfrance.com  
Web: www.kramerfrance.com

**KRAMER ELECTRONICS ITALIA S.R.L.**  
Via Cesare Cantù, 25  
20092 Cinisello Balsamo(MI), Italy  
Tel: + 39 02 66594771  
Fax: + 39 02 61296221  
E-mail: info@krameritalia.com  
Web: www.krameritalia.com

**KRAMER ELECTRONICS ESPAÑA S.L.**  
C/ Sierra De Gata 9 Nave 4  
San Fernando De Henares  
28830 Madrid, Spain  
Tel: + 34 917478410  
Fax: + 34 917473409  
E-mail: info@kramerspain.com  
Web: www.kramerspain.com

**KRAMER GERMANY GMBH**  
An Fürthenrode 59  
52511 Geilenkirchen, Germany  
Tel: + 49 (0) 2451 91161 0  
Fax: + 49 (0) 2451 91161 10  
E-mail: info@kramergermany.com  
Web: www.kramergermany.com

**KRAMER ELECTRONICS SWITZERLAND AG**  
Sägereistrasse 7  
8834 Schindellegi SZ, Switzerland  
Tel: + 41 (0)44 787 04 04  
Fax: + 41 (0)44 787 04 05  
E-mail: mail@kramerav.ch  
Web: www.kramerav.ch

**KRAMER ELECTRONICS SWEDEN AB**  
Arendalsvägen 22  
434 39 Kungsbacka, Sweden  
Tel: + 46 300 43 18 10  
Fax: + 46 300 43 17 19  
E-mail: info@kramersweden.com  
Web: www.kramersweden.com

**KRAMER ELECTRONICS FINLAND**  
Höyläämötie 10, Helsinki,  
00380, Finland  
Tel: + 358 (0)9 315 79220  
E-mail: info@kramerav.fi  
Web: www.kramerav.fi

**KRAMER ELECTRONICS POLSKA SP. Z O.O.**  
ul.Okrzei 1 A  
03 -715 Warszawa, Poland  
Tel: + 48 22 333 80 31  
Fax: + 48 22 333 80 30  
E-mail: info@kramerpoland.com  
Web: www.kramerpoland.com

**KRAMER ELECTRONICS AUSTRIA GMBH**  
Wiener Bundesstraße 2  
5300 Salzburg - Hallwang, Austria  
Tel: +43 (0) 662 660258  
Fax: +43 (0) 662 660449  
E-mail: info@kramerav.at  
Web: www.kramerav.at

**KRAMER ELECTRONICS CANADA, Ltd.**  
4450 Corporate Drive, Unit 5  
Burlington, ON, Canada  
L7L 5R3  
Tel: (905) 592-9739  
Fax: (905) 592-9762  
E-mail: info@kramercanada.ca  
Web: www.kramercanada.ca

**KRAMER ELECTRONICS MEXICO**  
Félix Parra No. 171  
Col. San José Insurgentes  
03900 México D.F.  
Tel: + 52 (55) 5523 0604  
+ 52 (55) 5523 0629  
Fax: + 52 (55) 5543 5945  
E-mail: info@kramermexico.com  
Web: www.kramermexico.com

**KRAMER LATIN AMERICA**  
Tel: + 1 305 600 4726  
Tel: + 1 212 300 5188  
E-mail: info@kramerlatinamerica.com  
Web: www.kramerlatinamerica.com

**KRAMER DO BRASIL COMÉRCIO  
DE ELETRÔNICOS LTDA**  
Rua Luis Coelho, 340 - Cj 101, Consolação  
São Paulo, SP, 01309-903, Brasil  
Tel: + 55 11 3926-9435  
E-mail: info@kramerbrazil.com  
Web: www.kramerbrazil.com

**KRAMER ELECTRONICS CHILE SPA**  
Avenida Vitacura 2909 Of. 811  
Las Condes, 7550024 Santiago, Chile  
Tel: + 56 2 2953 0660  
Fax: + 56 2 2953 0661  
E-mail: info@kramerchile.com  
Web: www.kramer.cl

**KRAMER ELECTRONICS ARGENTINA**  
Tel: + 54 (11) 4554 4621  
Cel: + 54 (911) 6398 7576  
Arg.: 011 15 6398 7576  
Nextel: 593\*476  
E-mail: info@kramerargentina.com  
Web: www.kramerargentina.com

**KRAMER ELECTRONICS COLOMBIA**  
Tel: + 57 (1) 510 0376  
Cel: + 57 (320) 455 1070  
E-mail: info@kramercolombia.com  
Web: www.kramercolombia.com

**KRAMER ASIA PACIFIC Pte, Ltd.**  
69 Ubi Crescent,  
#03-06/07 CES Building  
Singapore 408561  
Tel: + 65 6274 4474  
Fax: + 65 6274 4414  
E-mail: kap@kramerasia.com  
Web: www.kramerasia.com

**KRAMER ELECTRONICS CHINA**  
Rm 1405, NO.798 Zhao Jia Bang Rd,  
Shanghai 200030, China  
Tel: + 86 21 64453139,  
+ 86 21 64453136  
Fax: + 86 21 64455934  
E-mail: info@kramerchina.com  
Web: www.kramerchina.com

**KRAMER ELECTRONICS KOREA**  
#201 HyeopSung Bldg  
309-148, Seongsu-dong 2Ga,  
Seongdong-gu  
Seoul, Korea  
Tel: + 82 2 467 4747  
Fax: + 82 2 467 4750  
E-mail: info@kramerkorea.com  
Web: www.kramerkorea.com

**KRAMER ELECTRONICS HONG KONG, Ltd.**  
Unit 302A, 3rd Floor, Park Building,  
No. 476 Castle Peak Road  
Kowloon Hong Kong  
Tel: + 852 3698 2972-4  
Fax: + 852 3698 2975  
E-mail: info@kramerav.com.hk  
Web: www.kramerelectronics.com

**KRAMER ELECTRONICS INDIA PVT, Ltd.**  
No 18, Sufiya Elite, 3rd Floor  
Cunningham Road  
Bangalore - 560052  
Karnataka, India  
Tel: + 91 80 4148 5388  
Fax: + 91 80 4148 5387  
E-mail: sales@kramerindia.com  
Web: www.kramerindia.com

**KRAMER ELECTRONICS AUSTRALIA Pty, Ltd.**  
Unit 3/1-5, Knobel Court  
Shailer Park, 4128, QLD  
Brisbane, Australia  
Tel: + 61 7 38 06 4290  
Fax: + 61 7 38 06 4295  
E-mail: sales@krameraustralia.com.au  
Web: www.krameraustralia.com.au

**KRAMER ELECTRONICS NEW ZEALAND, Ltd.**  
Unit 4B, 89B Ellice Road  
Wairau Valley, 0629  
Auckland, New Zealand  
Tel: + 64 9 215 8083  
Fax: + 64 9 929 3408  
E-mail: theo@kramerav.co.nz  
Web: www.krameraustralia.com.au