



Scan for full manual

WP-211T Quick Start Guide

This guide helps you install and use your **WP-211T** for the first time.

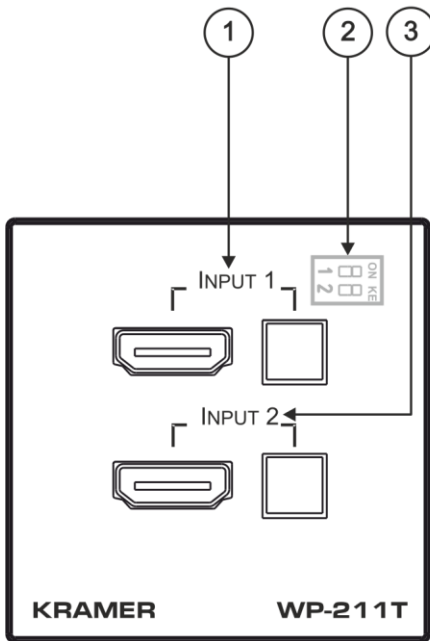
Go to www.kramerav.com/downloads/WP-211T to download the latest user manual and check if firmware upgrades are available.

Step 1: Check what's in the box

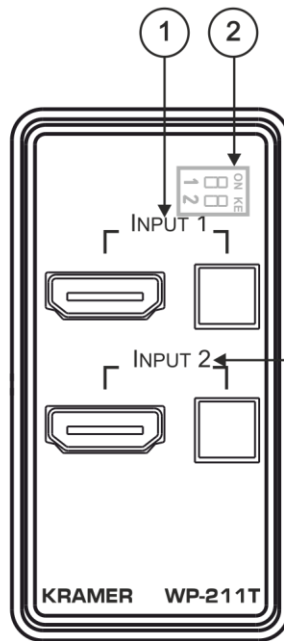
- ✓ **WP-211T** 1 Gang Ethernet and K-NET Control Keypad
- ✓ 1 Power adapter and cord
- ✓ 1 Quick start guide
- ✓ 1 Frame (or frame set) and faceplate
- ✓ Installation accessories

Step 2: Get to know your WP-211T

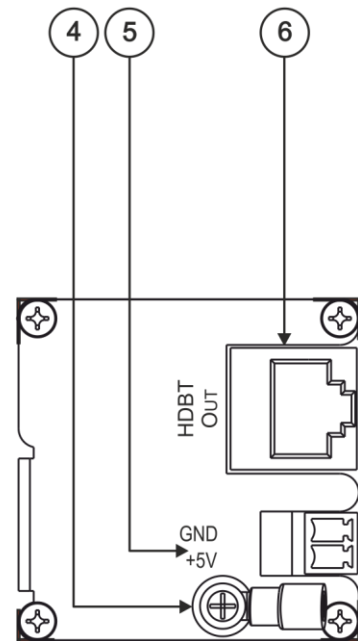
EU/UK Version



US-D Version



Rear View



#	Feature	Function	
1	INPUT 1	HDMI Connector	
	Button	Connect to an HDMI source to route to HDBT OUT. Press momentarily to manually select HDMI 1 (button lights orange).	
2	Operation Mode DIP-switches	By-default the DIP-switches are both set to OFF (left). Controlling via the INPUT buttons overrides all DIP-switch settings and automatic switching until the manually selected source disconnects, becomes inactive or WP-211T is powered off.	
		DIP-switch 1	OFF (left) - Last connected mode. ON (right) - Priority mode according to DIP-switch 2 settings.
		DIP-Switch 2	OFF (left) - INPUT 1 is the default priority. ON (right) INPUT 2 is the default priority.



WP-211T DIP-switches are located behind the faceplate and should be set during installation, before placing the faceplate. Pressing an input button manually selects that input, independent of the DIP-switch settings.

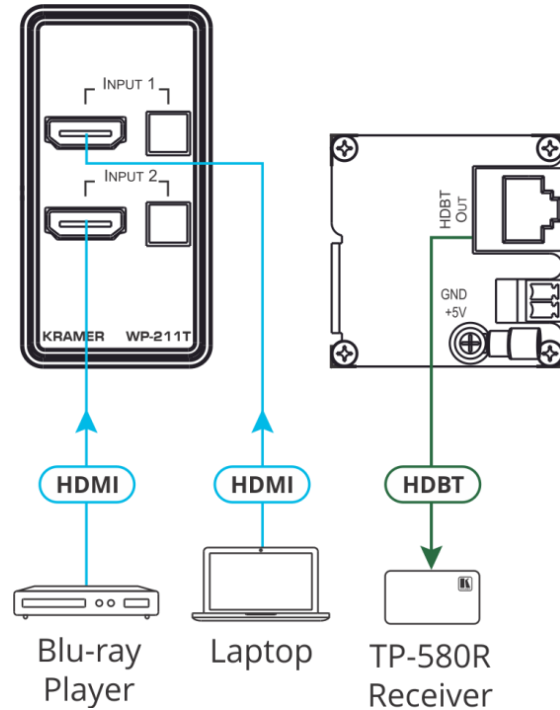
3	INPUT 2	HDMI™ Connector	Connect to an HDMI Source to route to HDBT OUT.
		Button	Press momentarily to manually select HDMI 2 (button lights orange).
4	Grounding Screw	Connect to the common ground (optional) to prevent static electricity from impacting the performance of the unit.	



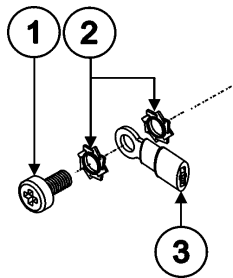
#	Feature	Function
5	GND 5V DC 2-pin Terminal Block Connector	Connect to the supplied power adapter. Not needed on the WP-211T if there is a PoE provider over HDBaseT.
6	HDBT OUT RJ-45 Connector	Connect to an HDBaseT receiver (for example, TP-580R).

Step 3: Connect the inputs and outputs

Always switch OFF the power on each device before connecting it to your **WP-211T**. For best results, we recommend that you always use Kramer high-performance cables to connect AV equipment to the **WP-211T**.



Grounding the WP-211T



#	Component Description
1	M3X6 screw
2	1/8" Toothed Lock Washer
3	M3 Ring Tongue Terminal

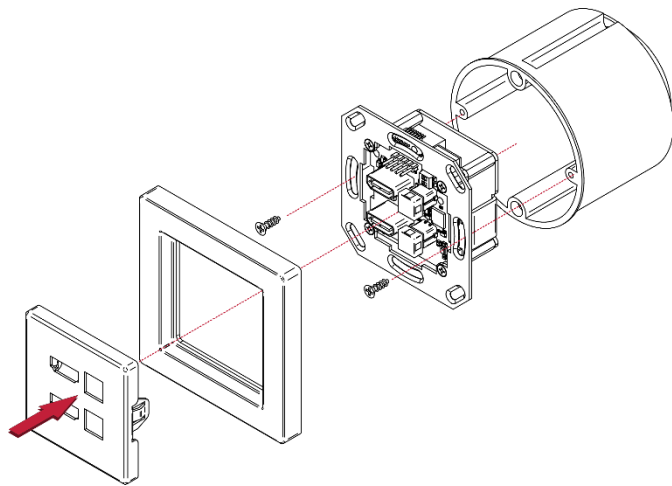
To ground the WP-211T:

1. Connect the ring tongue terminal to the building grounding point wire (it is recommended to use a green-yellow AWG#18 (0.82mm) wire, crimped with a proper hand-tool).
2. Insert the M3x6 screw through the toothed lock washers and the tongue terminal in the order shown above.
3. Insert the M3x6 screw (with the two toothed lock washers and ring tongue terminal) into the grounding screw hole and tighten the screw.

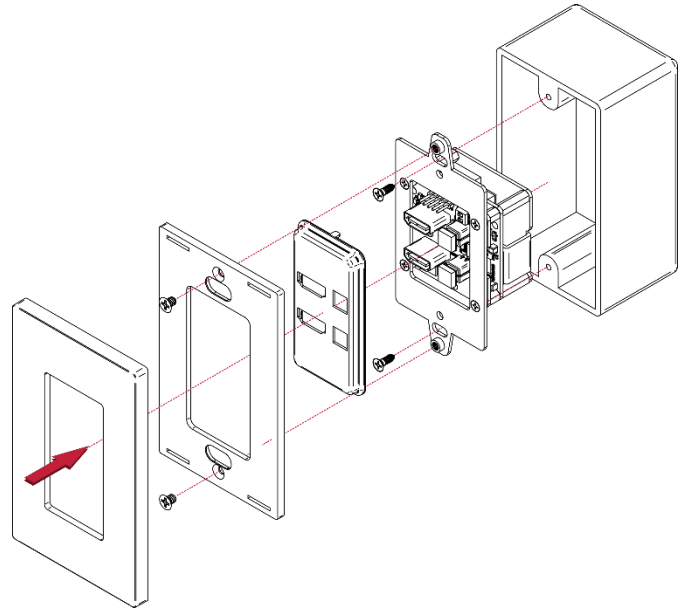
Step 4: Install WP-211T

After connecting the ports, insert the device into the in-wall box and connect the parts as shown in the illustrations below:

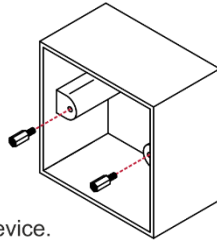
EU/UK Version



US-D Version



For BS EN 60670-1
attach the spacers
before inserting the device.



DECORA® design frames are included in US-D models.

We recommend that you use any of the following standard 1 Gang in-wall junction boxes (or their equivalent):

- **US-D:** 1 Gang US electrical junction boxes.
- **EU:** 1 Gang in-wall junction box, with a cut-hole diameter of 68mm and depth that can fit in both the device and the connected cables (DIN 49073).
- **UK:** 1 Gang in-wall junction box, 75x75mm (W, H), and depth that can fit in both the device and the connected cables (BS 4662).

Step 5: Connect the power

If the device is not powered via HDBT PoE, connect the 5V DC power adapter to the **WP-211T** and plug the adapter into the mains.

Safety Instructions



Caution: There are no operator serviceable parts inside the unit.

Warning: Use only the Kramer Electronics power supply that is provided with the unit.

Warning: Disconnect the power and unplug the unit from the wall before installing.

See www.KramerAV.com for updated safety information.

Technical Specifications

Inputs	2 HDMI	On female HDMI connectors
Outputs	1 HDBT	On a female RJ-45 connector
Video	Max. Data Rate	8.91Gbps (2.97Gbps per graphic channel)
	Max. Resolution	4K@60Hz (4:2:0)
	Standard Compliance	HDCP 2.2 (does not support conversion to HDCP 1.4), HDMI 1.4
Controls	DIP-Switches	Last connected/priority DIP-switches
	Front Panel	Input select buttons
Power	Consumption	5V DC, 780mA
	Source	5V DC, 4A with open DC head
Environmental Conditions	Operating Temperature	0° to +40°C (32° to 104°F)
	Storage Temperature	-40° to +70°C (-40° to 158°F)
	Humidity	10% to 90%, RHL non-condensing
Regulatory Compliance	Safety	CE, UL
	Environmental	RoHs, WEEE
Enclosure	Size	1 Gang wall plate
	Cooling	Passive heat sink (metal sheet)
General	Net Dimensions (W, D, H)	US-D: 7cm x 3.7cm x 11.4cm (2.8" x 1.5" x 4.5) EU: 8cm x 3.8cm x 8cm (3.1" x 1.5" x 3.1) UK: 8.6cm x 3.8cm x 8.6cm (3.4" x 1.5" x 3.4")
	Shipping Dimensions (W, D, H)	23.2cm x 13.6cm x 10cm (9.1" x 5.4" x 3.9")
	Net Weight	0.2kg (0.4lbs) approx..
	Shipping Weight	0.6kg (1.2lbs) approx.
Accessories	Included	1 Power adapter, 1 power cord, installation accessories US-D version: 2 US Frame sets and faceplates (1 in black and 1 in white) European version: 1 EU white frame, 1 UK white frame, 1 EU/UK white faceplate
Specifications are subject to change without notice at www.kramerav.com		

DECORA® is a registered trademark of Leviton Manufacturing Co., Inc.

The terms HDMI, HDMI High-Definition Multimedia Interface, and the HDMI Logo are trademarks or registered trademarks of HDMI Licensing Administrator, Inc.