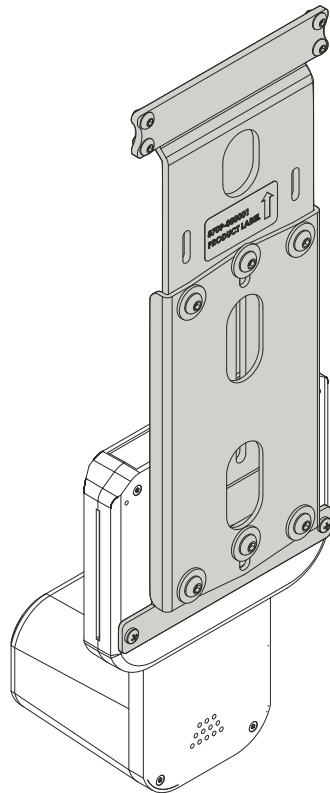


---

# INSTALLATION INSTRUCTIONS

---



---

## IntelliSHOT® Thinstall™ Camera Bracket

---

**DISCLAIMER**

Legrand | AV and its affiliated corporations and subsidiaries (collectively “Legrand | AV”), intend to make this manual accurate and complete. However, Legrand | AV makes no claim that the information contained herein covers all details, conditions or variations, nor does it provide for every possible contingency in connection with the installation or use of this product. The information contained in this document is subject to change without notice or obligation of any kind. Legrand | AV makes no representation of warranty, expressed or implied, regarding the information contained herein. Legrand | AV assumes no responsibility for accuracy, completeness or sufficiency of the information contained in this document.

Chief®, IntelliSHOT® and Thinstall™ are registered trademarks of Legrand AV Inc.

**DEFINITIONS**

**MOUNTING SYSTEM:** A MOUNTING SYSTEM is the primary Chief product to which an accessory and/or component is attached.

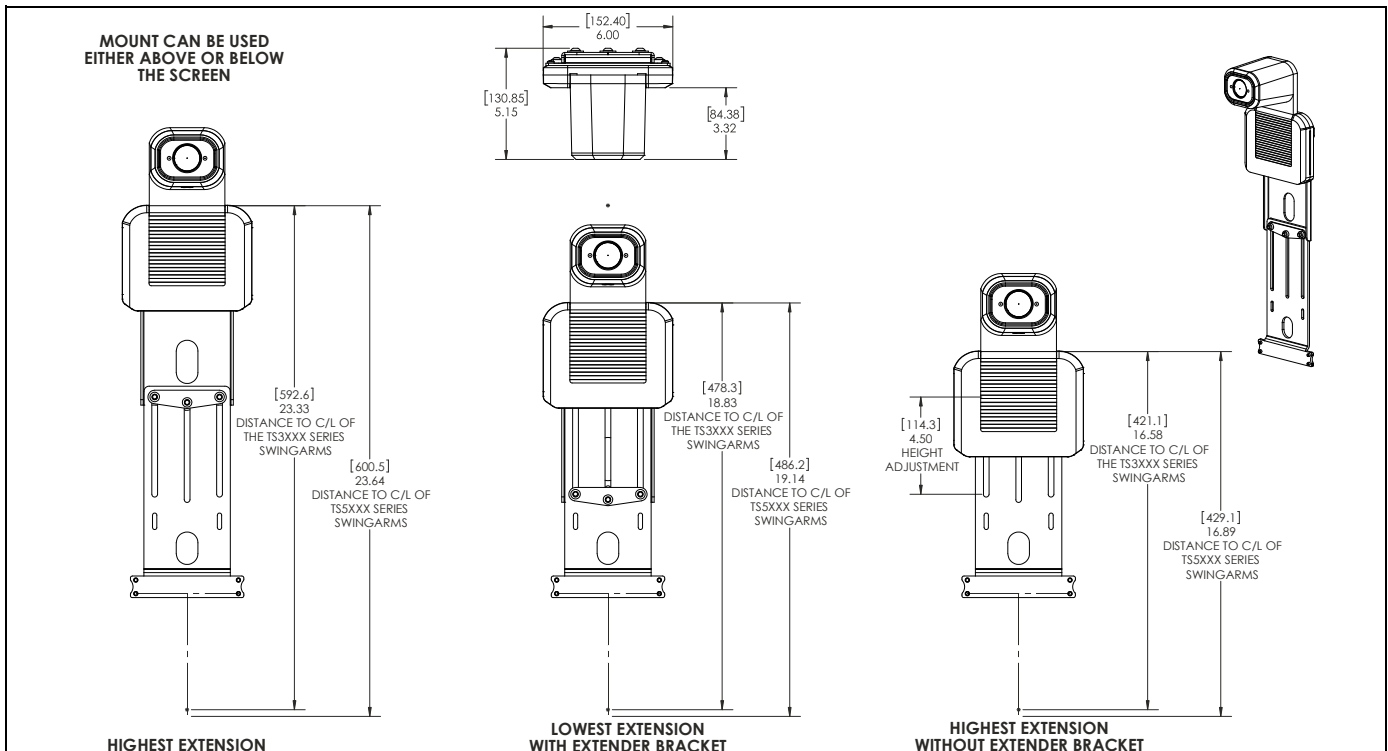
**ACCESSORY:** AN ACCESSORY is the secondary Chief product which is attached to a primary Chief product, and may have a component attached or setting on it.

**COMPONENT:** A COMPONENT is an audiovisual item designed to be attached or resting on an accessory or mounting system such as a video camera, CPU, screen, display, projector, etc.

**WARNING:** A WARNING alerts you to the possibility of serious injury or death if you do not follow the instructions.

**CAUTION:** A CAUTION alerts you to the possibility of

**DIMENSIONS**



damage or destruction of equipment if you do not follow the corresponding instructions.

**IMPORTANT SAFETY INSTRUCTIONS**

**WARNING:** Failure to read, thoroughly understand, and follow all instructions can result in serious personal injury, damage to equipment, or voiding of factory warranty! It is the installer’s responsibility to make sure all accessories are properly assembled and installed using the instructions provided.

**WARNING:** Exceeding the weight capacity can result in serious personal injury or damage to equipment! It is the installer’s responsibility to make sure the combined weight of all equipment and accessories mounted on each TA210E shelf does not exceed 10 lbs (4.54 kg) per bracket.

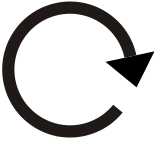

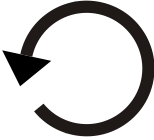









**WARNING:** Use this accessory only for its intended use as described in these instructions. Do not use attachments not recommended by the manufacturer.

**WARNING:** Never operate this accessory if it is damaged. Return the accessory to a service center for examination and repair.

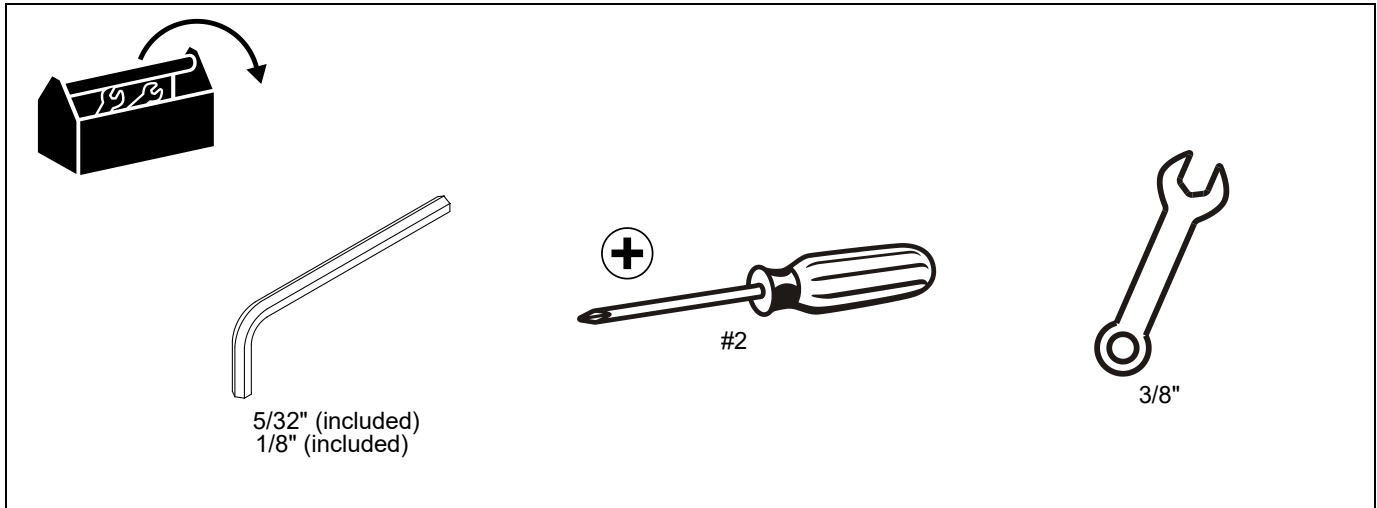
**WARNING:** Do not use this accessory outdoors.

**--SAVE THESE INSTRUCTIONS--**

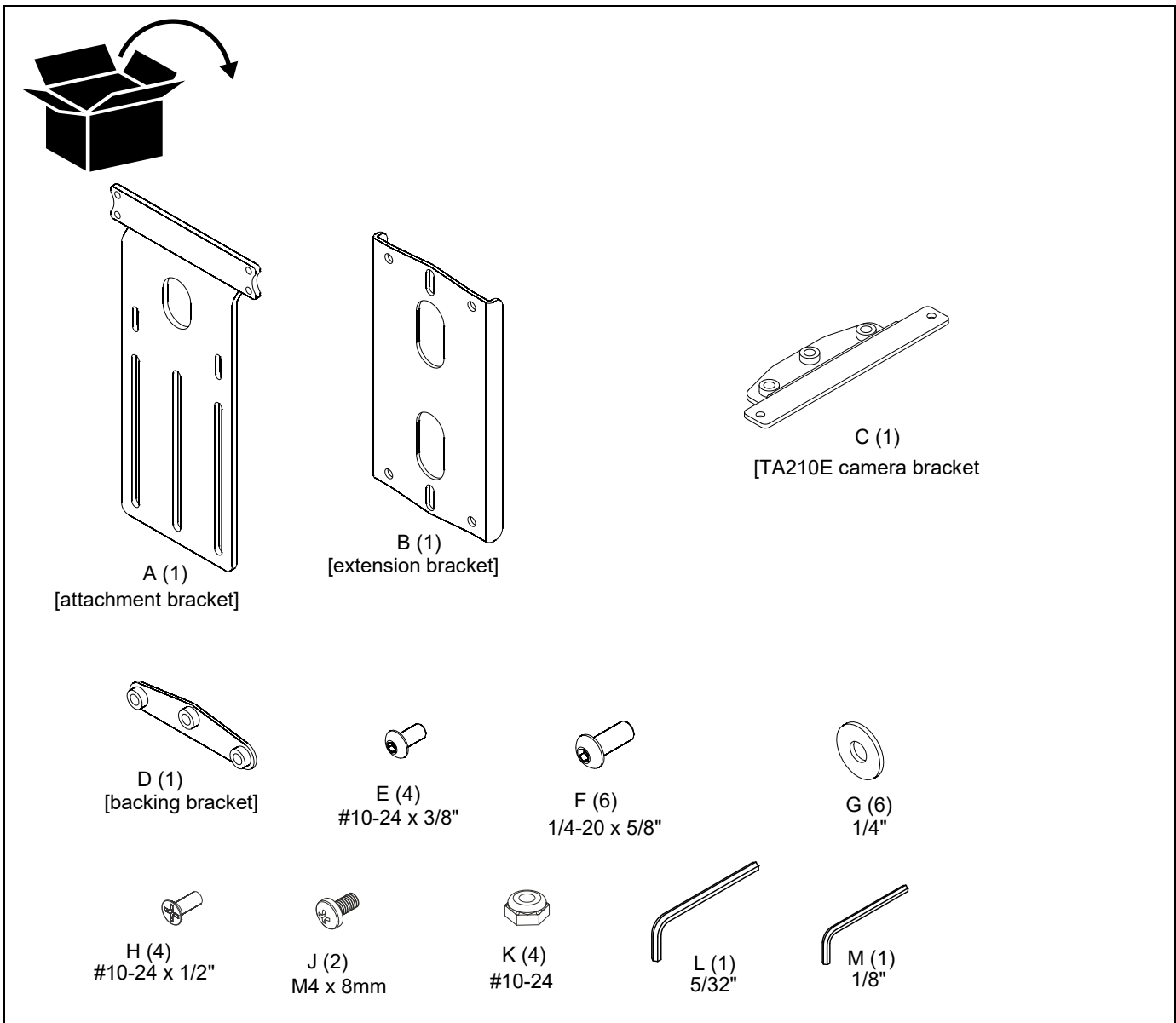
**LEGEND**

	<p><b>Tighten Fastener</b></p> <p>Apretar elemento de fijación</p> <p>Befestigungsteil festziehen</p> <p>Apertar fixador</p> <p>Serrare il fissaggio</p> <p>Bevestiging vastdraaien</p> <p>Serrez les fixations</p>		<p><b>Pencil Mark</b></p> <p>Marcar con lápiz</p> <p>Stiftmarkierung</p> <p>Marcar com lápis</p> <p>Segno a matita</p> <p>Potloodmerkten</p> <p>Marquage au crayon</p>
	<p><b>Loosen Fastener</b></p> <p>Aflojar elemento de fijación</p> <p>Befestigungsteil lösen</p> <p>Desapertar fixador</p> <p>Allentare il fissaggio</p> <p>Bevestiging losdraaien</p> <p>Desserrez les fixations</p>		<p><b>Drill Hole</b></p> <p>Perforar</p> <p>Bohrloch</p> <p>Fazer furo</p> <p>Praticare un foro</p> <p>Gat boren</p> <p>Percez un trou</p>
	<p><b>Phillips Screwdriver</b></p> <p>Destornillador Phillips</p> <p>Kreuzschlitzschraubendreher</p> <p>Chave de fendas Phillips</p> <p>Cacciavite a stella</p> <p>Kruiskopschroevendraaier</p> <p>Tournevis à pointe cruciforme</p>		<p><b>Adjust</b></p> <p>Ajustar</p> <p>Einstellen</p> <p>Ajustar</p> <p>Regolare</p> <p>Afstellen</p> <p>Ajuster</p>
	<p><b>Open-Ended Wrench</b></p> <p>Llave de boca</p> <p>Gabelschlüssel</p> <p>Chave de bocas</p> <p>Chiave a punte aperte</p> <p>Steeksleutel</p> <p>Clé à fourche</p>		<p><b>Remove</b></p> <p>Quitar</p> <p>Entfernen</p> <p>Remover</p> <p>Rimuovere</p> <p>Verwijderen</p> <p>Retirez</p>
	<p><b>By Hand</b></p> <p>A mano</p> <p>Von Hand</p> <p>Com a mão</p> <p>A mano</p> <p>Met de hand</p> <p>À la main</p>		<p><b>Optional</b></p> <p>Opcional</p> <p>Optional</p> <p>Opcional</p> <p>Opzionale</p> <p>Optie</p> <p>En option</p>
	<p><b>Hex-Head Wrench</b></p> <p>Llave de cabeza hexagonal</p> <p>Sechskantschlüssel</p> <p>Chave de cabeça sextavada</p> <p>Chiave esagonale</p> <p>Zeskantsleutel</p> <p>Clé à tête hexagonale</p>		<p><b>Security Wrench</b></p> <p>Llave de seguridad</p> <p>Sicherheitsschlüssel</p> <p>Chave de segurança</p> <p>Chiave di sicurezza</p> <p>Veiligheidsleutel</p> <p>Clé de sécurité</p>

**TOOLS REQUIRED FOR INSTALLATION**



**PARTS**

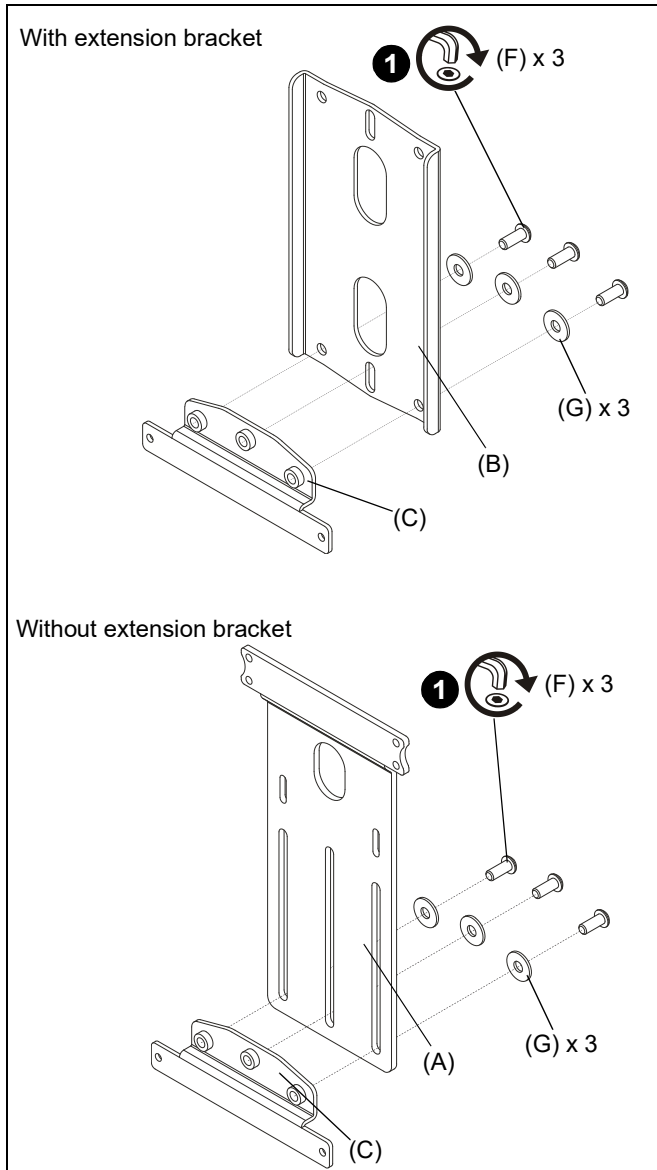


## Installation

### Shelf Assembly

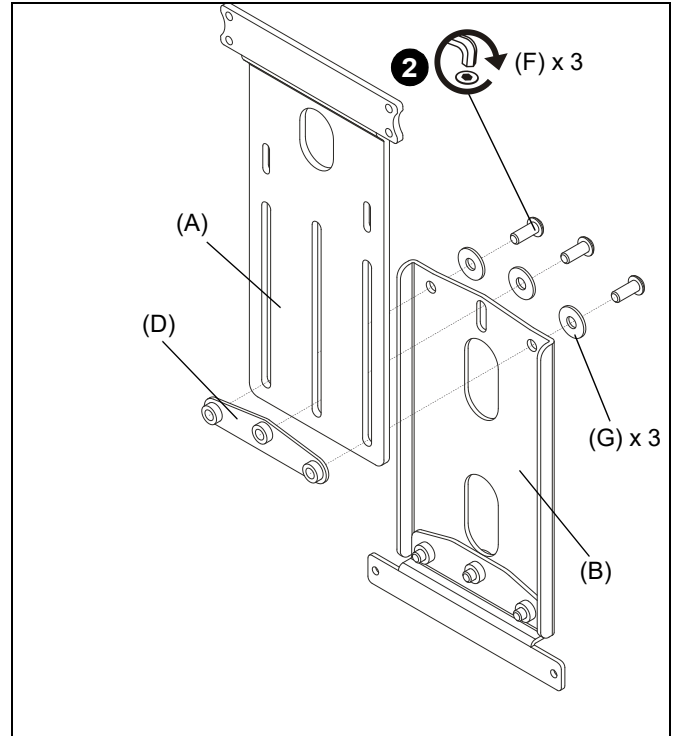
1. Use three 1/4-20 x 5/8" button head cap screws (F) and three 1/4" washers (G) to connect bracket (C) to either extension bracket (B) or attachment bracket (A). (See Figure 1)

**NOTE:** Use extension bracket (B) for larger displays or if component needs to be mounted further from the display.



**Figure 1**

2. If using extension bracket, use three 1/4-20 x 5/8" button head cap screws (F) and three 1/4" washers (G) to attach extension bracket (B) to attachment bracket (A). (See Figure 2)



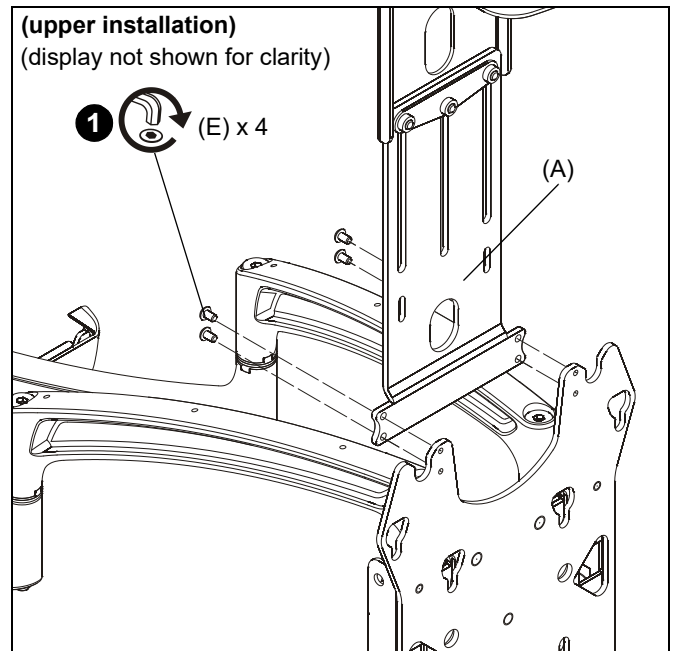
**Figure 2**

### Installation to Faceplate

#### TS525 or iCF50 Installation

**NOTE:** Display does NOT have to be removed for bracket installation.

1. Use four #10-24 x 3/8" button head cap screws (E) to connect attachment bracket (A) to swing arm faceplate. (See Figure 3)



**Figure 3**

## TS3XX or iCF30 Installation

1. If already installed, remove display from faceplate. See swing arm installation instructions for details.
2. Use four #10-24 x 1/2" Phillips head screws (H) and four #10-24 lock nuts (K) to connect attachment bracket (A) to faceplate. (See Figure 4) and (See Figure 5)

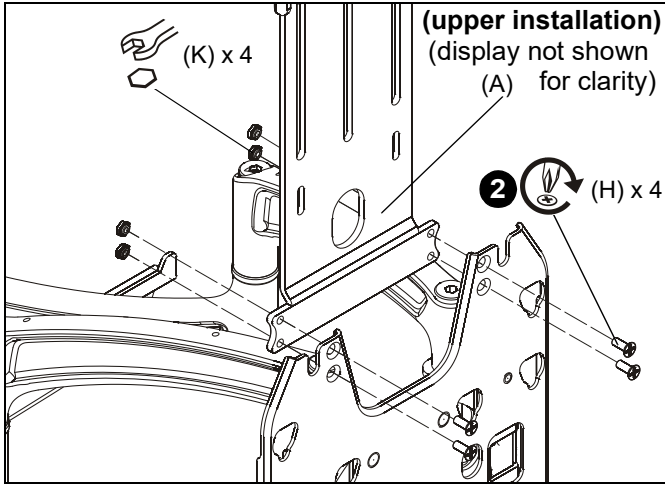


Figure 4

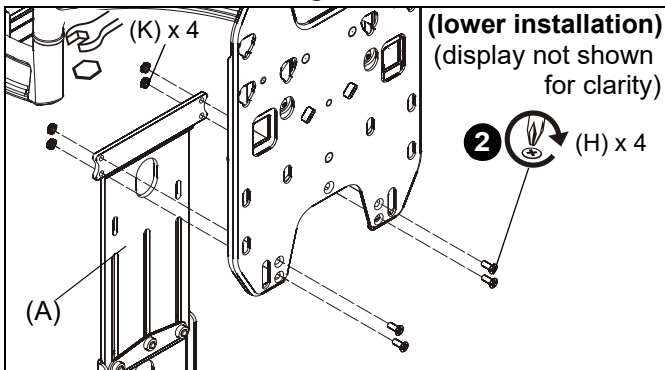


Figure 5

3. Reinstall display to faceplate. See swing arm installation instructions for details.

**NOTE:** If also installing side speaker brackets (TA300), attachment bracket (A) should also be attached to TA300 horizontal brackets for additional support. Use hardware provided with TA300. (See Figure 6)

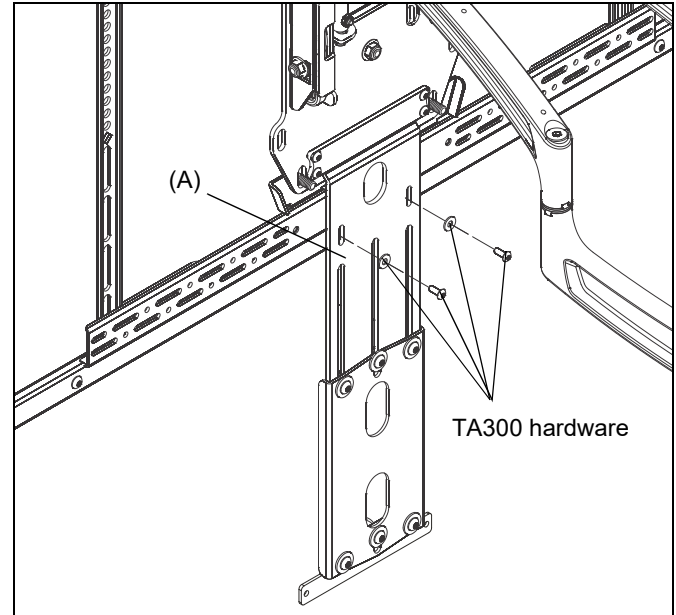


Figure 6

## Camera/Component Installation



**WARNING:** Exceeding the weight capacity can result in serious personal injury or damage to equipment! It is the installer's responsibility to make sure the combined weight of all equipment and accessories mounted on the TA210E brackets does not exceed 10 lbs (4.54 kg) per bracket.

1. Install two M4x8mm Phillips pan machine screws (J) through holes on camera bracket (C) and into holes on back of camera. (See Figure 7)

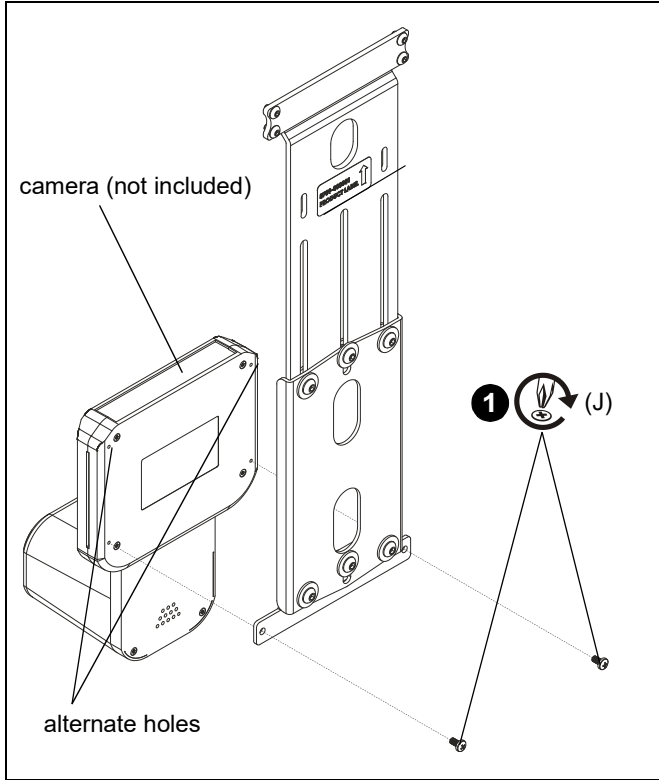


Figure 7

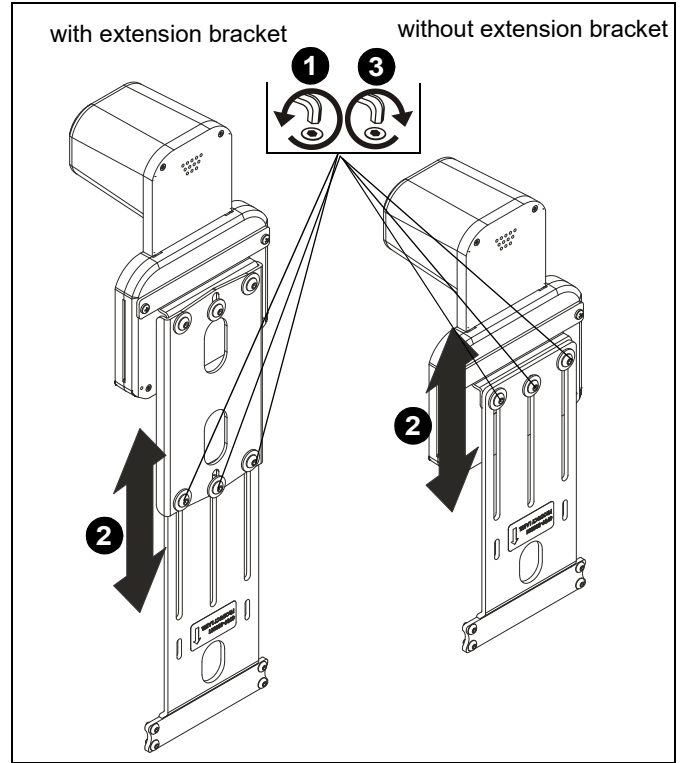


Figure 8

## Adjustments

### Height Adjustment

1. Loosen three 1/4-20 x 5/8" button head cap screws (F) holding extension bracket (B) or camera bracket (C) to attachment bracket (A). (See Figure 8)
2. Adjust height of shelf (C) as desired.
3. Tighten three 1/4-20 x 5/8" button head cap screws (F) holding extension bracket (B) or camera bracket (C) to attachment bracket (A). (See Figure 8)



A brand of  **legrand**

8800-003233 Rev01  
©2020 Legrand | AV  
[www.legrandav.com](http://www.legrandav.com)  
12/2020

<b>USA/International</b>	<b>A</b> 6436 City West Parkway, Eden Prairie, MN 55344 <b>P</b> 800.582.6480 / 952.225.6000 <b>F</b> 877.894.6918 / 952.894.6918
<b>Europe</b>	<b>A</b> Franklinstraat 14, 6003 DK Weert, Netherlands <b>P</b> +31 (0) 495 580 852 <b>F</b> +31 (0) 495 580 845
<b>Asia Pacific</b>	<b>A</b> Office No. 918 on 9/F, Shatin Galleria 18-24 Shan Mei Street Fotan, Shatin, Hong Kong <b>P</b> 852 2145 4099 <b>F</b> 852 2145 4477

