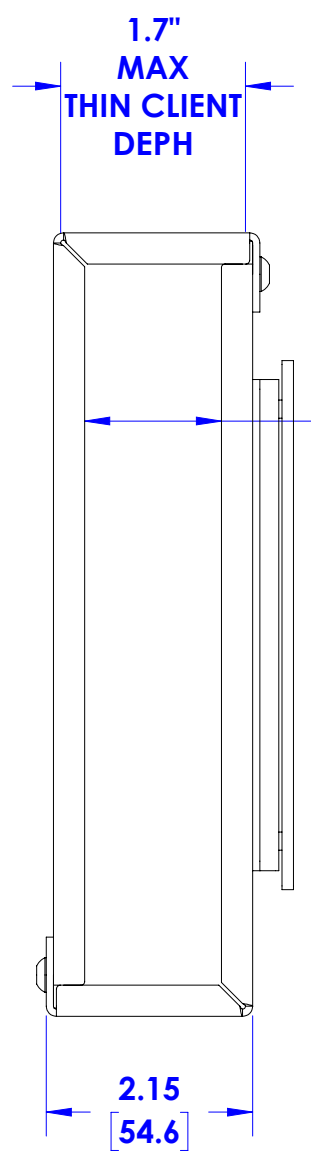
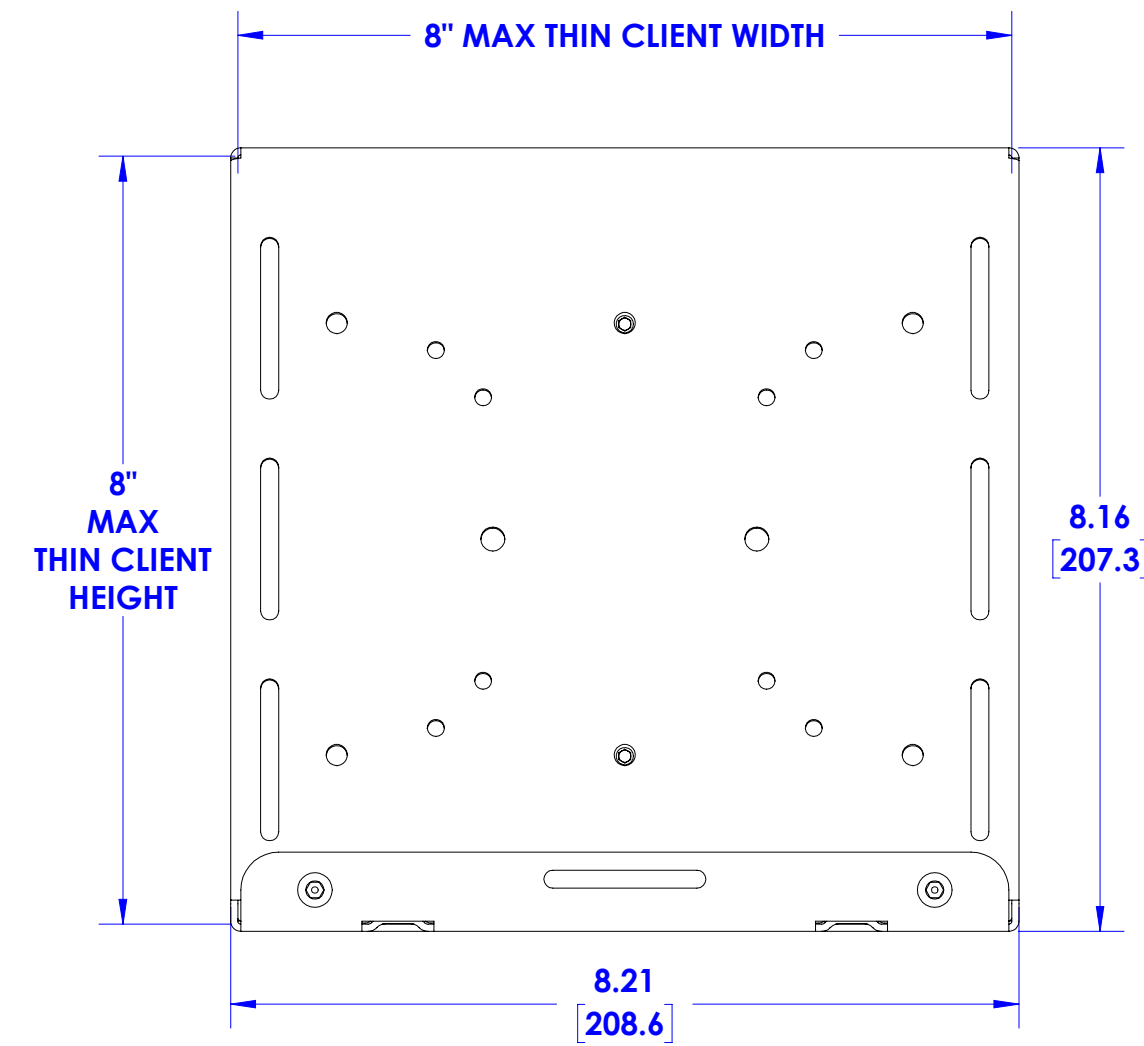
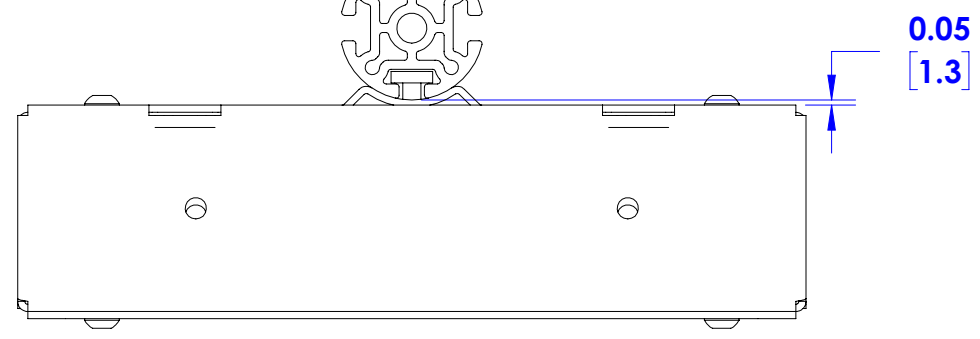
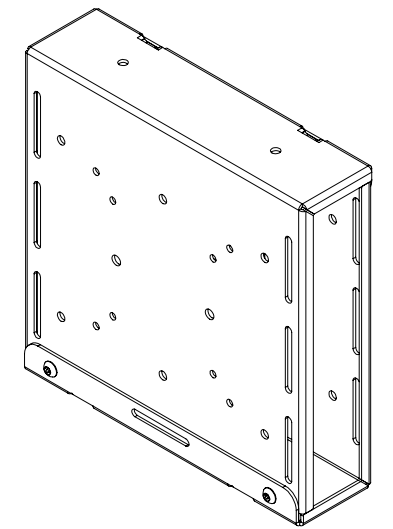
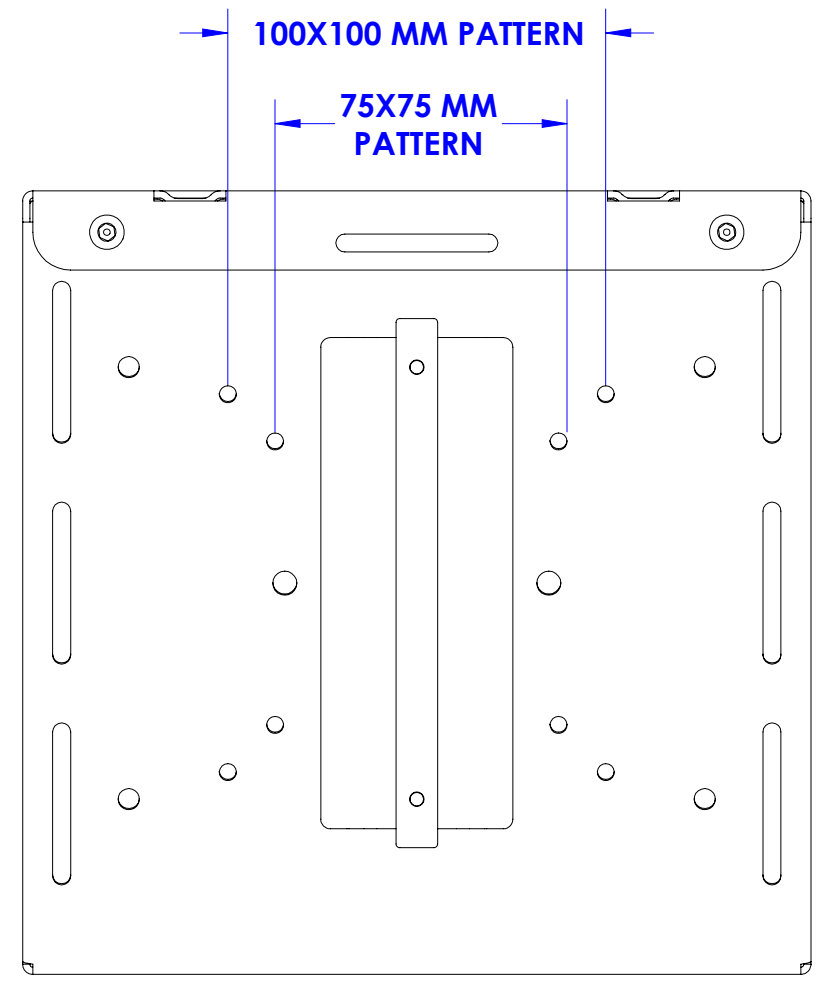


KONTOUR SERIES COLUMN
FOR ILLUSTRATION PURPOSES

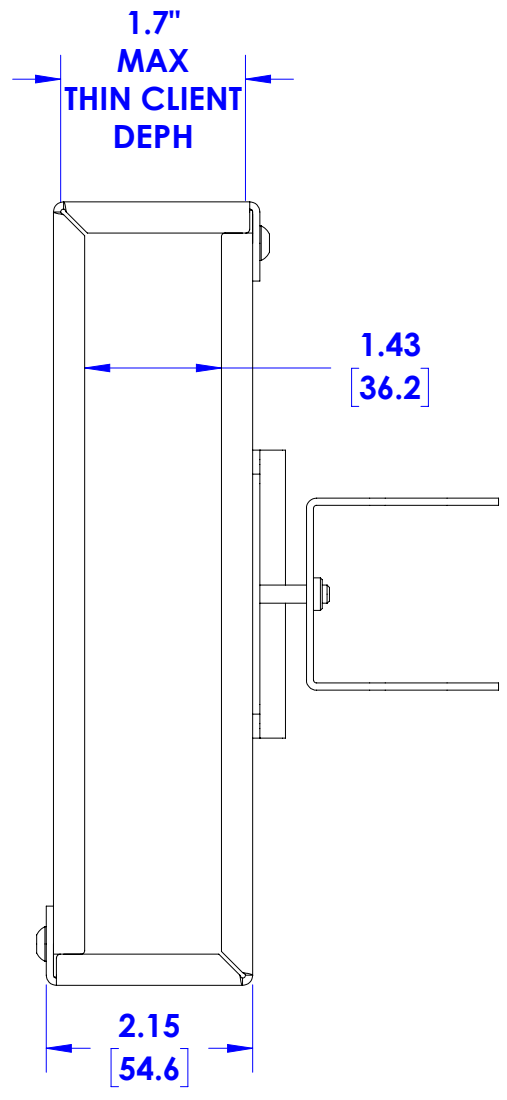
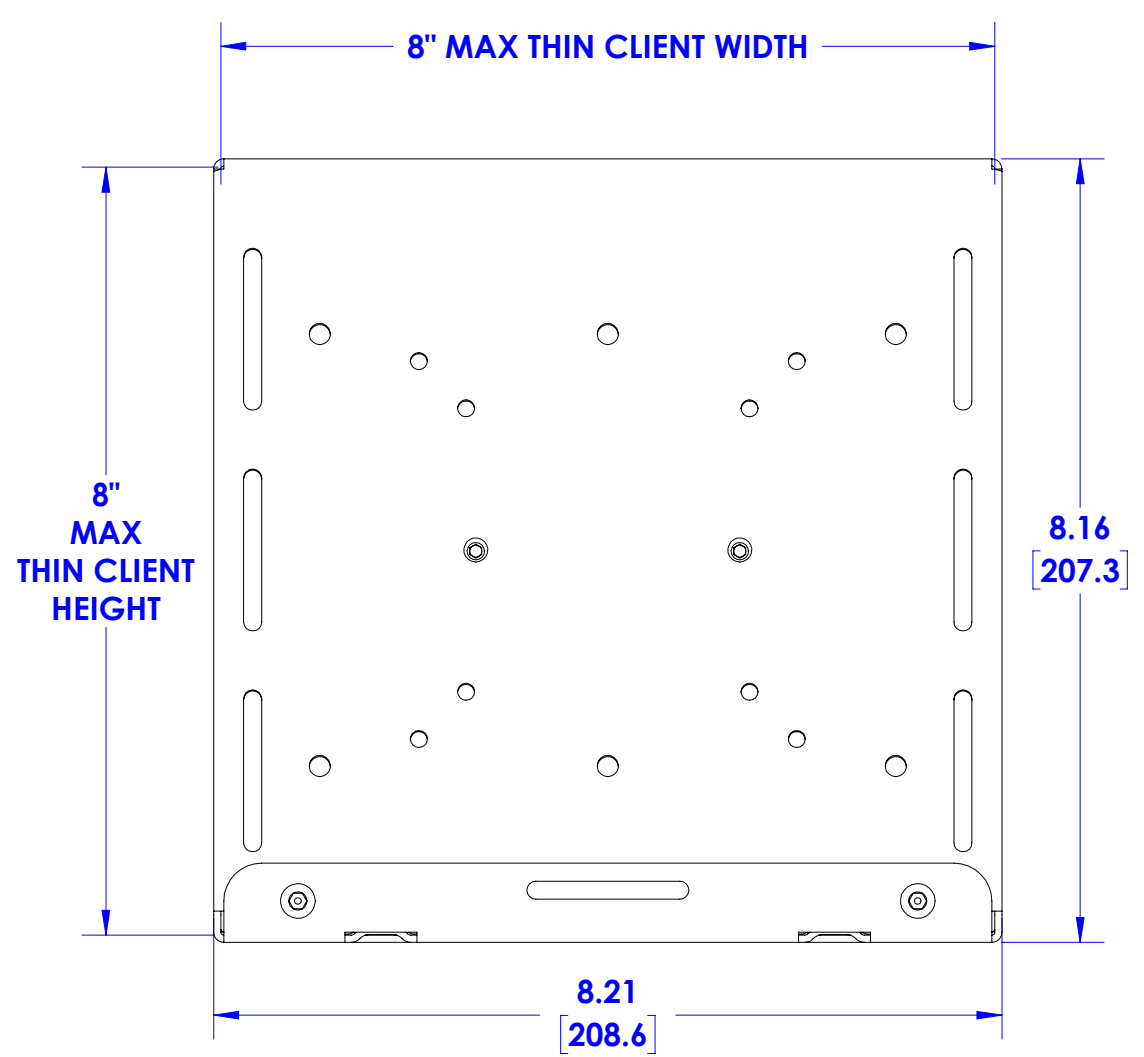
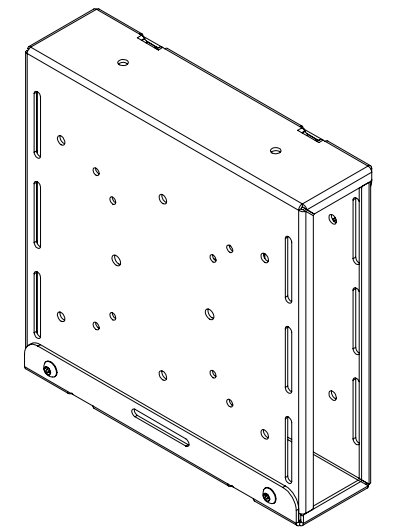
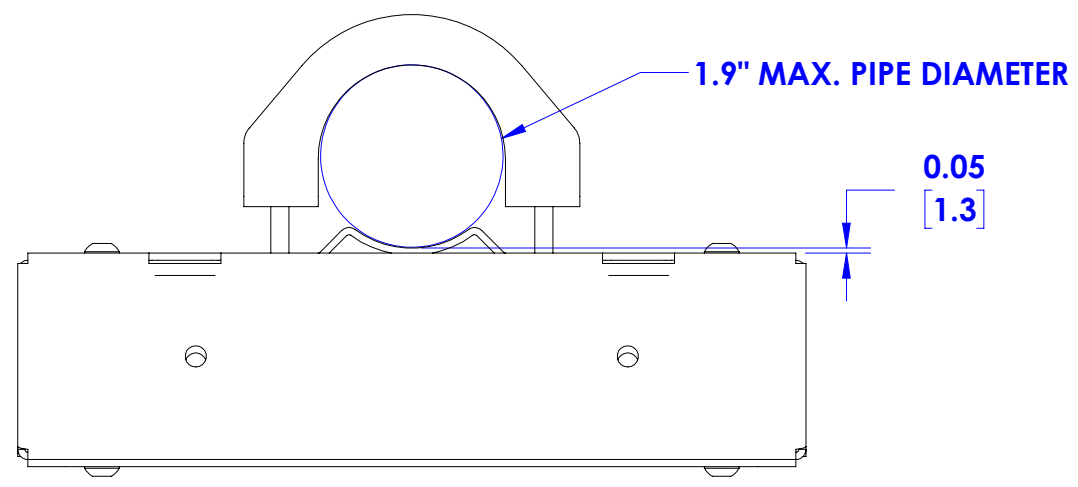


1.43
[36.2]

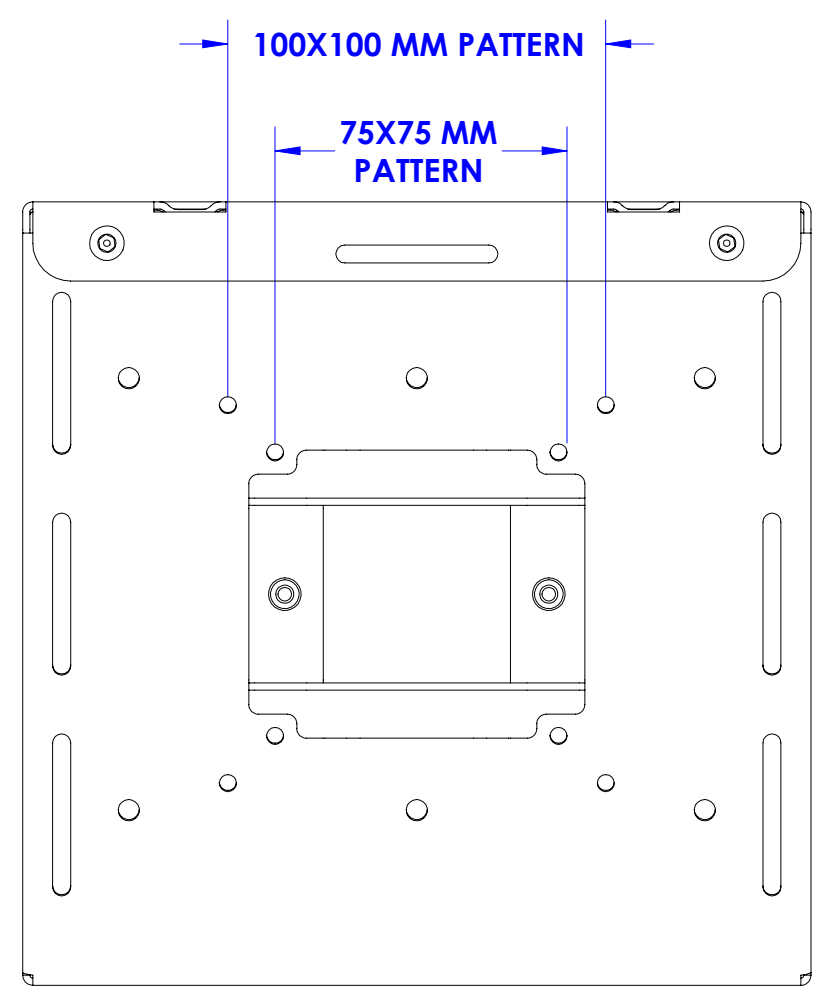


THE INFORMATION AND DESIGNS CONTAINED IN THIS DRAWING ARE CONFIDENTIAL AND THE PROPRIETARY PROPERTY OF MILESTONE AV TECHNOLOGIES NEITHER THIS DESIGN NOR ANY INFORMATION CONTAINED IN THIS DRAWING MAY BE REPRODUCED OR DISCLOSED TO OTHERS WITHOUT THE EXPRESS WRITTEN CONSENT OF MILESTONE AV TECHNOLOGIES.

CAD GENERATED DRAWING, DO NOT MANUALLY UPDATE.		6436 CITY WEST PKWY EDEN PRAIRIE MN, 55344 PHONE: 866-977-3901 FAX: 877-894-6918	
DRAWN BY	JN	11/27/2018	DESCRIPTION
ENG APPROVAL			SECURE THIN-CLIENT PC MNT, CLMN/POLE
MFG APPROVAL			MODEL NO.
QA APPROVAL			KRA233B/KRA233PB
SHEET 1 OF 2		SCALE 1:2	SIZE B DWG. NO. TECH-000965 REV. 00



1.43
[36.2]



THE INFORMATION AND DESIGNS CONTAINED IN THIS DRAWING ARE CONFIDENTIAL AND THE PROPRIETARY PROPERTY OF MILESTONE AV TECHNOLOGIES NEITHER THIS DESIGN NOR ANY INFORMATION CONTAINED IN THIS DRAWING MAY BE REPRODUCED OR DISCLOSED TO OTHERS WITHOUT THE EXPRESS WRITTEN CONSENT OF MILESTONE AV TECHNOLOGIES.

CAD GENERATED DRAWING, DO NOT MANUALLY UPDATE.		6436 CITY WEST PKWY EDEN PRAIRIE MN, 55344 PHONE: 866-977-3901 FAX: 877-894-6918	
DRAWN BY	JN	11/27/2018	DESCRIPTION
ENG APPROVAL			SECURE THIN-CLIENT PC MNT, CLMN/POLE
MFG APPROVAL			MODEL NO.
QA APPROVAL			KRA233B/KRA233PB
SHEET 2 OF 2		SCALE 1:2	SIZE DWG. NO. TECH-000965
			REV. 00