

# forum™

COLLABORATION SUITE

The Forum™ Table options are a perfect accompaniment to the Forum™ Display Stand for flexible hybrid videoconferencing scenarios to provide meeting equity for all participants.

## FEATURES

### Forum™ Angle Table Features & Benefits

- Angle shaped table allows for everyone's face to be seen by the remote participants and still easily interact in-person
- 30" Seated Height
- Two table size options: 59" Angle Table for 3-5 people and 90" Angle Table for 5-7 people
- The table surfaces are made from high pressure laminate (HPL); a super durable material that can withstand day-to-day meetings and is easily cleaned after each use
  - Includes cable grommets for routing cables below the worksurface
- Built-in cable management within the table legs and underneath the worksurface for clean lines and no cord clutter
- Included modesty panel covers internal cable management
- Add optional Wiremold ModPower modular power system for device charging hubs at the users seat



Forum™ 59" Angle Table



Forum™ 90" Angle Table

### Forum™ Arc Table Features & Benefits

- The Arc shaped table allows for all in-person participants to directly face the remote participants
- 30" Seated Height
- Two table size options: 92" Arc Table for 3 people and 184" Arc Table for up to 7 people
- Connect 92" Arc tables together for larger groups
- The table surfaces are made from high pressure laminate (HPL); a super durable material that can withstand day-to-day meetings and is easily cleaned after each use
  - Includes cable grommets for routing cables below the worksurface
- Built-in cable management within the table legs and underneath the worksurface for clean lines and no cord clutter
- Included modesty panel covers internal cable management
- Add optional Wiremold ModPower modular power system for device charging hubs at the users seat



Forum™ 92" Arc Table



Forum™ 184" Arc Table

# forum™

COLLABORATION SUITE

## FEATURES

### Forum™ Rectangle Table Features & Benefits

- Rectangle Table is also perfect for meetings with mostly remote attendees while maintaining meeting equity for those participating in-person
- 30" Seated Height
- Designed for 1-2 people
- Connect to Arc tables to create a larger table for video conferencing
- The table surfaces are made from high pressure laminate (HPL); a super durable material that can withstand day-to-day meetings and is easily cleaned after each use
  - Includes cable grommets for routing cables below the worksurface
- Built-in cable management within the table legs and underneath the worksurface for clean lines and no cord clutter
- Included modesty panel covers internal cable management
- Add optional Wiremold ModPower modular power system for device charging hubs at the users seat



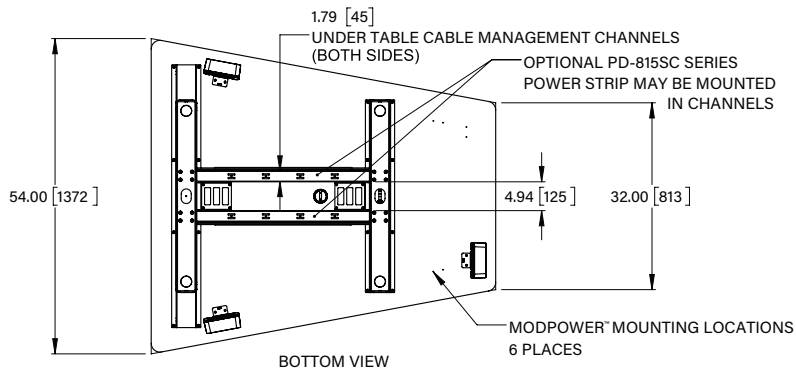
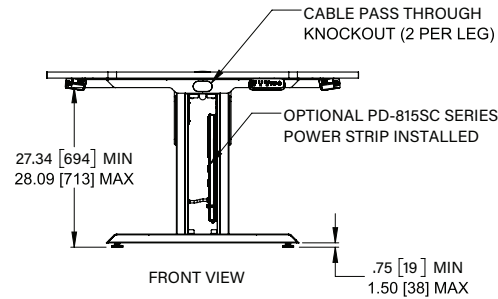
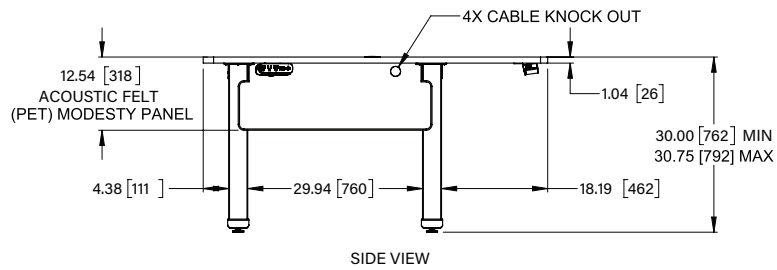
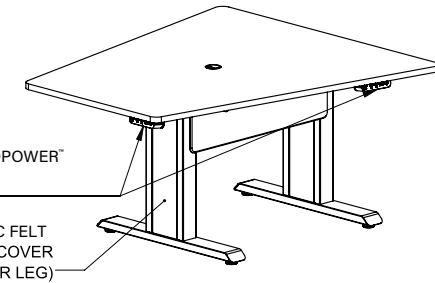
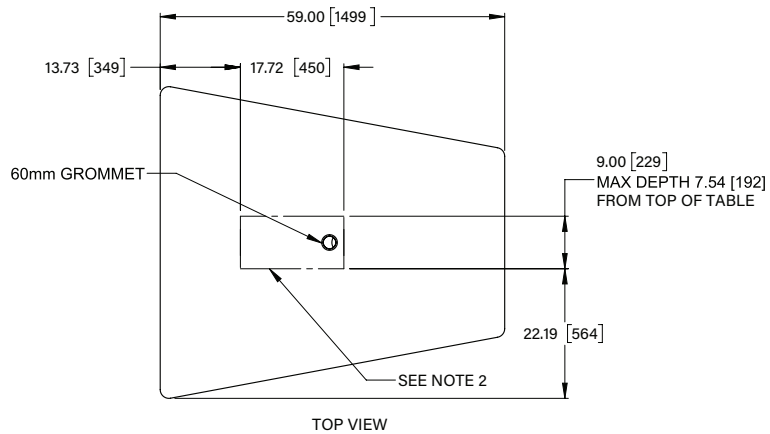
Forum™ Rectangle Table

## SPECIFICATIONS

The Forum Table shall be Middle Atlantic Products model # \_\_\_\_\_ (refer to chart). The Forum Table shall include a worksurface constructed of 1" thick high pressure laminate. The Forum Angle Table shall be \_\_\_" wide and \_\_\_" long (refer to drawing) and 30" from the floor. The Forum Arc Table shall be 92" wide and 33" deep and 30" from the floor. The Forum Rectangle Table shall be 66" wide and 27" deep and 30" from the floor. The Forum Table shall include integrated cable management on the underside of the worksurface to route cables. Steel components shall be warranted to be free from defects in material or workmanship under normal use and conditions for 25 years. High Pressure Laminate components shall be warranted to be free from defects in material or workmanship under normal use and conditions for a period of 10 years. The Forum Angle, Rectangle and Arc Tables shall be manufactured by an ISO 9001 and ISO 14001 registered company.

For specifications on the acoustic felt made from polyethylene terephthalate (PET) please visit:  
[www.focalpointlights.com/reference](http://www.focalpointlights.com/reference)

## BASIC DIMENSIONS

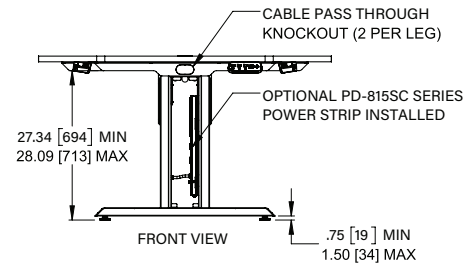
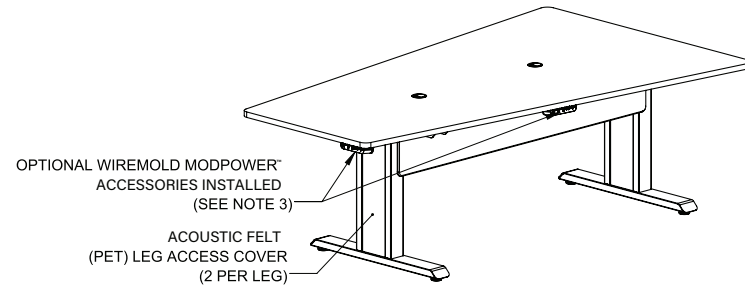
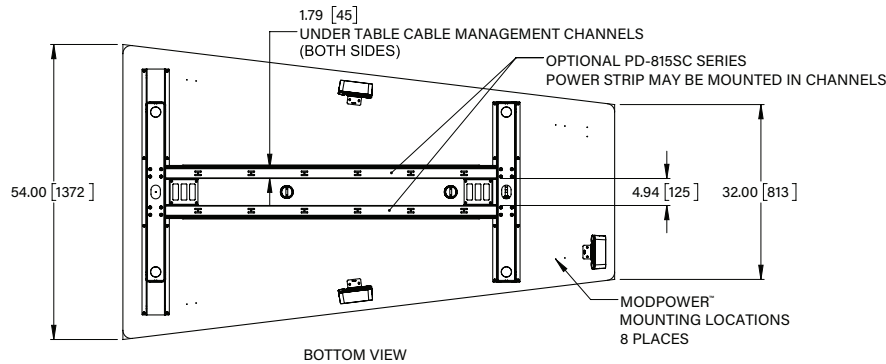
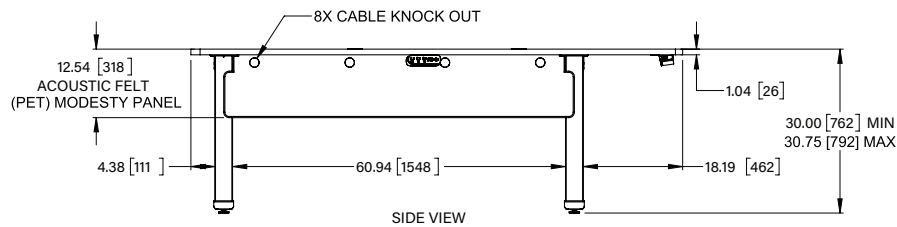
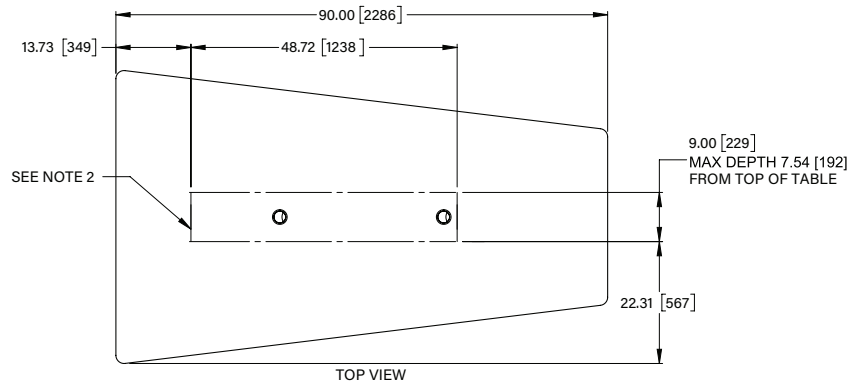


### NOTE(S):

- ALL DIMENSIONS SHOWN IN FORMAT: INCHES [MILLIMETERS]
- THIS AREA AVAILABLE FOR CUSTOM TABLEBOX CUTOUT. CONTACT CUSTOMER CARE.
- OPTIONAL WIREMOLD MODPOWER™ ACCESSORIES:  
START: MDSA10-xx, CENTER: MDCA3-xx, END: MDEA3-xx, 3FT EXTENSION CABLE: MDJ36BK  
"xx" TO BE REPLACED BY "WH" FOR WHITE COLOR OR "MG" FOR MAGNEISUM COLOR.  
MAXIMUM DISTANCE BETWEEN UNITS: 72.00 [1829].

PART NUMBER	TABLE TOP COLOR	ACOUSTIC FELT (PET) COLOR	FRAME COLOR	RECOMMENDED NUMBER OF SEATS
FM-TAN-0595430-A3B	ASIAN NIGHT	CHARCOAL GRAY	BLACK	3
FM-TAN-0595430-D8W	DESIGNER WHITE	SILVER GRAY	WHITE	
FM-TAN-0595430-A3G	ASIAN NIGHT	CHARCOAL GRAY	GRAPHITE	

## BASIC DIMENSIONS

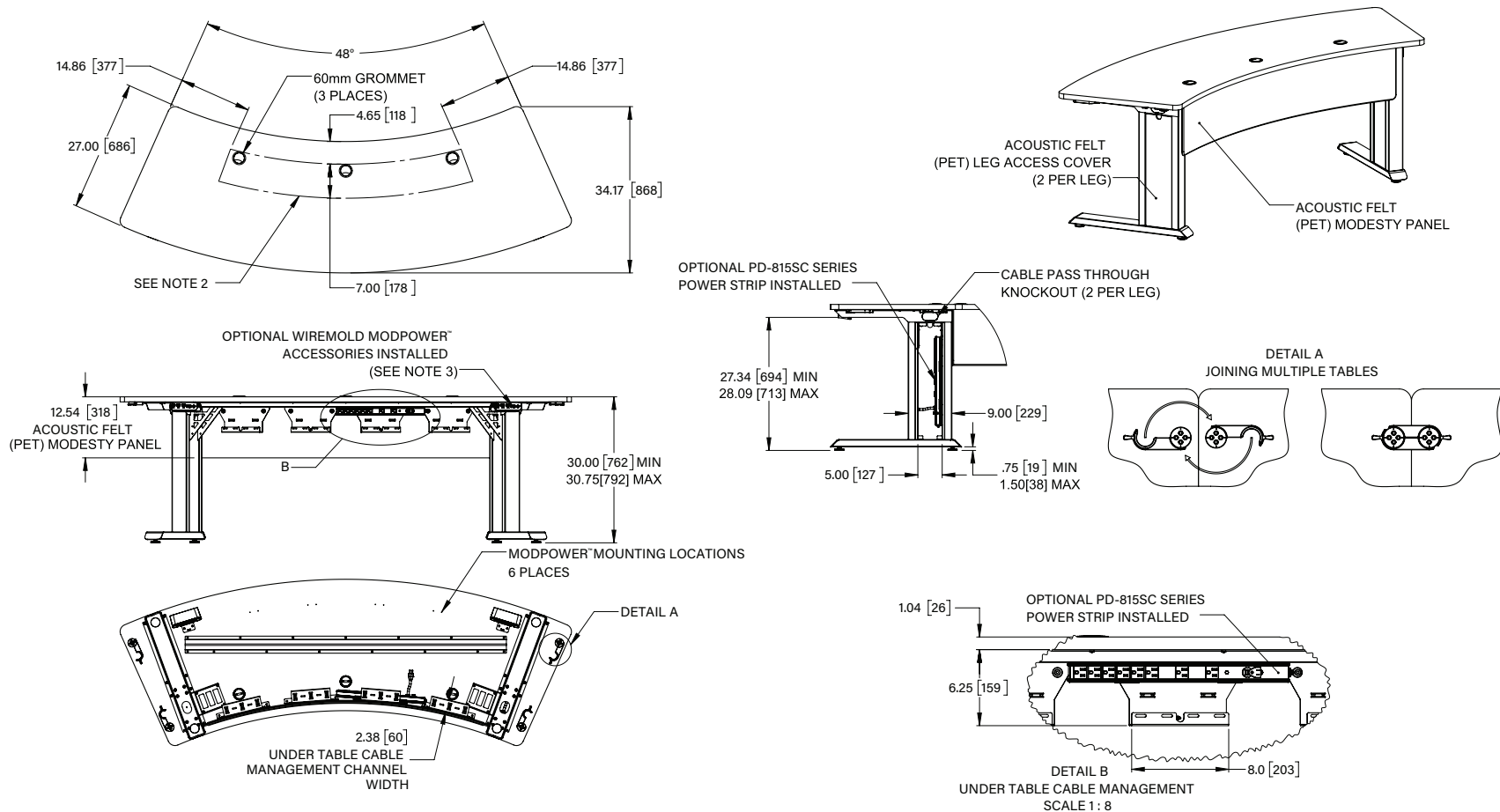


NOTE(S):

1. ALL DIMENSIONS SHOWN IN FORMAT: INCHES [MILLIMETERS]
2. THIS AREA AVAILABLE FOR CUSTOM TABLEBOX CUTOUT. CONTACT CUSTOMER CARE.
3. OPTIONAL WIREMOLD MODPOWER™ ACCESSORIES:  
START: MDSA10-xx, CENTER: MDCA3-xx, END: MDEA3-xx, 3FT EXTENSION CABLE: MDJ36BK  
"xx" TO BE REPLACED BY "WH" FOR WHITE COLOR OR "MG" FOR MAGNEIUM COLOR.  
MAXIMUM DISTANCE BETWEEN UNITS: 72.00 [1829].

PART NUMBER	TABLE TOP COLOR	ACOUSTIC FELT (PET) COLOR	FRAME COLOR	RECOMMENDED NUMBER OF SEATS
FM-TAN-0905430-A3B	ASIAN NIGHT	CHARCOAL GRAY	BLACK	5
FM-TAN-0905430-D8W	DESIGNER WHITE	SILVER GRAY	WHITE	
FM-TAN-0905438-A3G	ASIAN NIGHT	CHARCOAL GRAY	GRAPHITE	

## BASIC DIMENSIONS

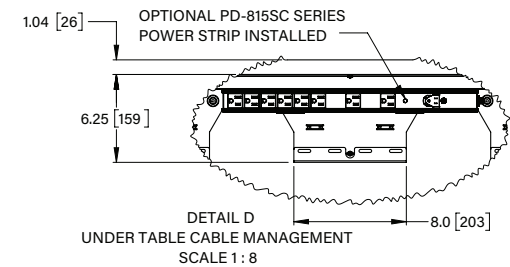
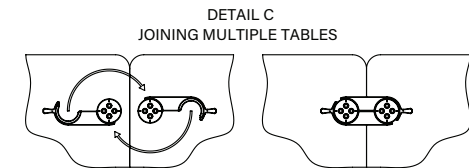
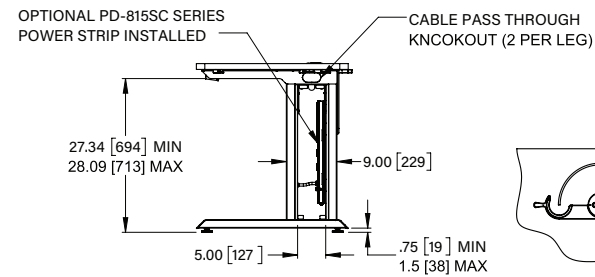
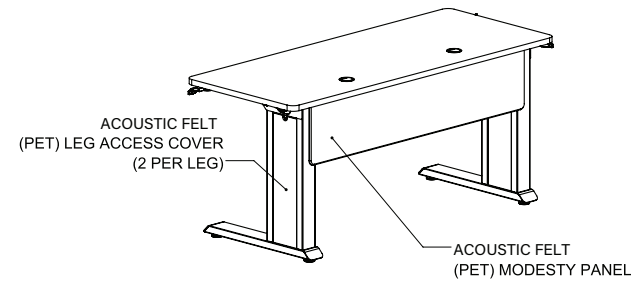
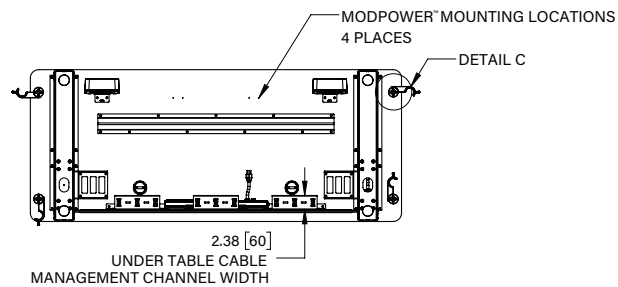
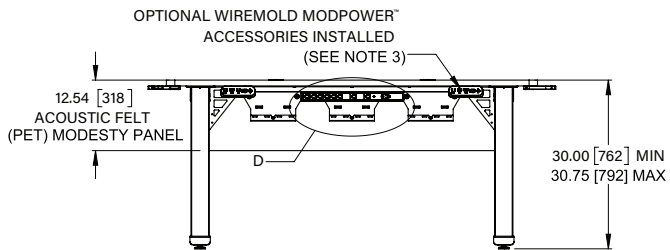
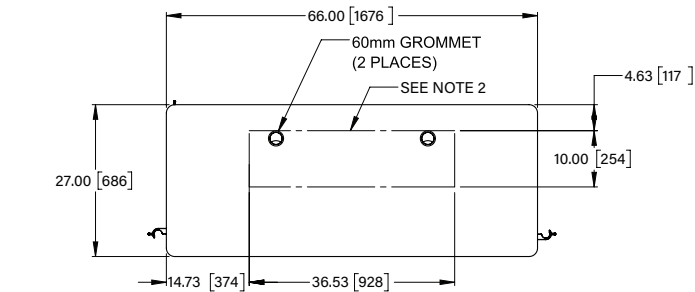


**NOTE(S):**

1. ALL DIMENSIONS SHOWN IN FORMAT: INCHES [MILLIMETERS]
2. THIS AREA AVAILABLE FOR CUSTOM TABLEBOX CUTOUT. CONTACT CUSTOMER CARE.
3. OPTIONAL WIREMOLD MODPOWER™ ACCESSORIES:  
START: MDSA10-xx, CENTER: MDCA3-xx, END: MDEA3-xx, 3FT EXTENSION CABLE: MDJ36BK  
"xx" TO BE REPLACED BY "WH" FOR WHITE COLOR OR "MG" FOR MAGNEISUM COLOR.  
MAXIMUM DISTANCE BETWEEN UNITS: 72.00 [1829].

PART NUMBER	TABLE TOP COLOR	ACQUSTIC FELT (PET) COLOR	FRAME COLOR	RECOMMENDED NUMBER OF SEATS
FM-TAR-0923430-A3B	ASIAN NIGHT	CHARCOAL GRAY	BLACK	3
FM-TAR-0923430-D8W	DESIGNER WHITE	SILVER GRAY	WHITE	
FM-TAR-0923430-A3G	ASIAN NIGHT	CHARCOAL GRAY	GRAPHITE	

## BASIC DIMENSIONS

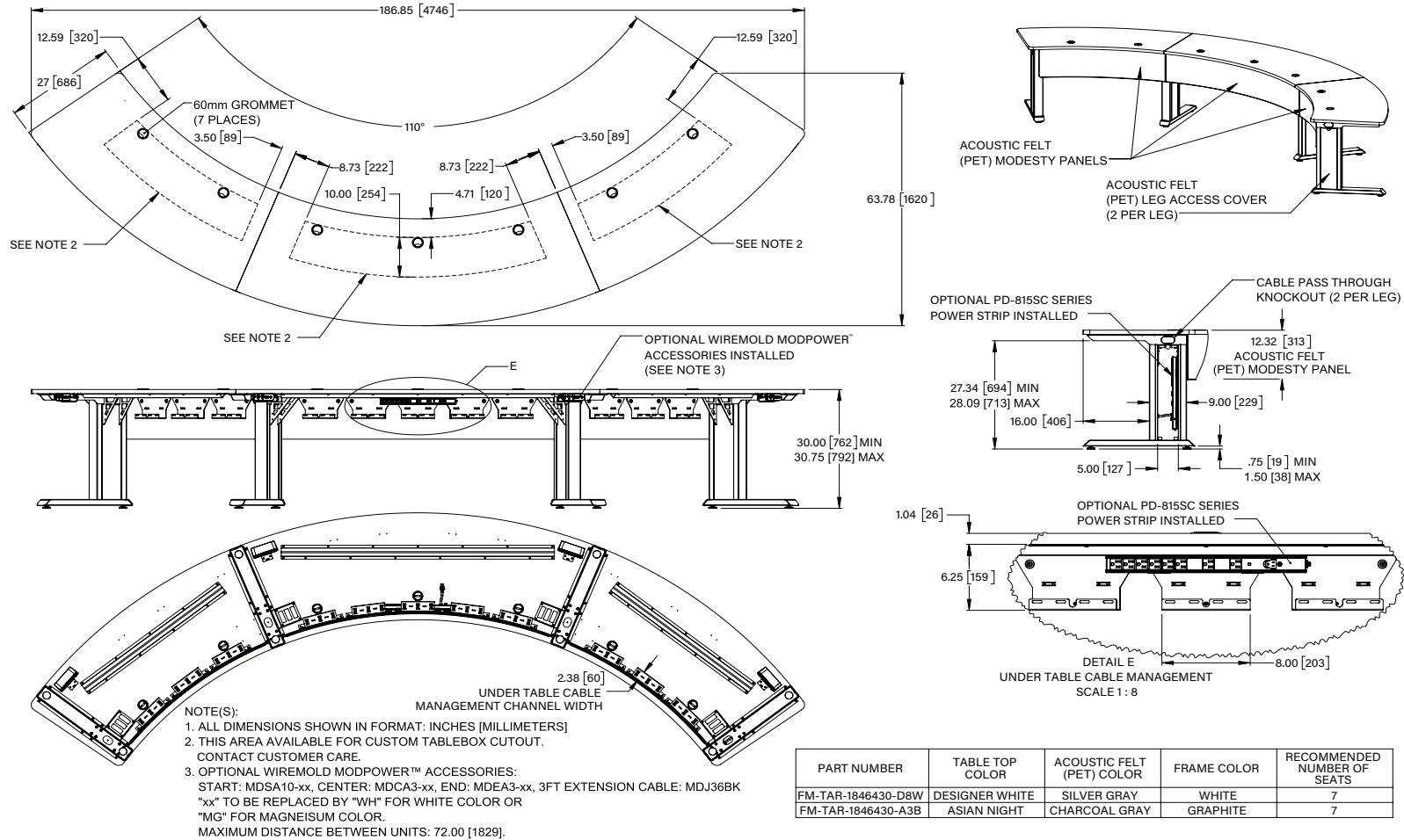


**NOTE(S):**

- ALL DIMENSIONS SHOWN IN FORMAT: INCHES [MILLIMETERS]
- THIS AREA AVAILABLE FOR CUSTOM TABLEBOX CUTOUT. CONTACT CUSTOMER CARE.
- OPTIONAL WIREMOLD MODPOWER™ ACCESSORIES:  
START: MDSA10-xx, CENTER: MDCA3-xx, END: MDEA3-xx, 3FT EXTENSION CABLE: MDJ36BK  
"xx" TO BE REPLACED BY "WH" FOR WHITE COLOR OR "MG" FOR MAGNEISUM COLOR.  
MAXIMUM DISTANCE BETWEEN UNITS: 72.00 [1829].

PART NUMBER	TABLE TOP COLOR	ACOUSTIC FELT (PET) COLOR	FRAME COLOR	RECOMMENDED NUMBER OF SEATS
FM-TRE-0662730-A3B	ASIAN NIGHT	CHARCOAL GRAY	BLACK	2
FM-TRE-0662730-D8W	DESIGNER WHITE	SILVER GRAY	WHITE	
FM-TRE-0662730-A3G	ASIAN NIGHT	CHARCOAL GRAY	GRAPHITE	

## BASIC DIMENSIONS



LEGRAND | AV COMMERCIAL BRANDS

C2G | Chief | Da-Lite | Luxul | Middle Atlantic | Vaddio | Wiremold

WHAT GREAT SYSTEMS ARE BUILT ON™ | legrandav.com

USA 800.266.7225 av.middleatlantic.support@legrand.com CANADA 888.766.9770 av.middleatlantic.support@legrand.com

©2025 Legrand AV Inc. 220761\_120-00038 Rev D 7/25 Middle Atlantic is a registered trademark of Legrand AV Inc. All other brand names or marks are used for identification purposes and are trademarks of their respective owners. All patents are protected under existing designations. Other patents pending.