

MK440 - Series

Magnetic Contact

VANDERBILT



Key Features include:

- Surface mounted contact
- Suitable for wood & steel applications
- Various European approvals EN Grade 2
- Long operational life
- Aesthically designed
- Security and industrial control system applications
- Accessories to compliment installations
- Opening protection
- Pre-installed resistors (option)

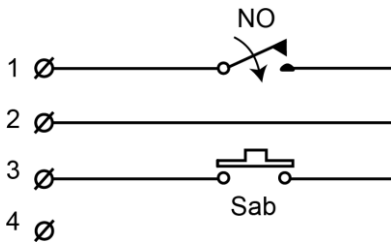
MK440 - Series

Magnetic Contact

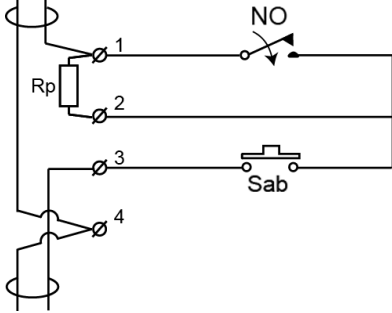
VANDERBILT

Connection Options

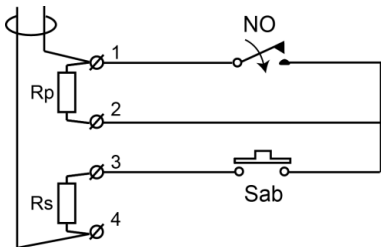
MK440 with configuration for a separate tamper loop.



MK440 with resistor R_p in parallel over reed mounted in the terminals with many contacts in a loop



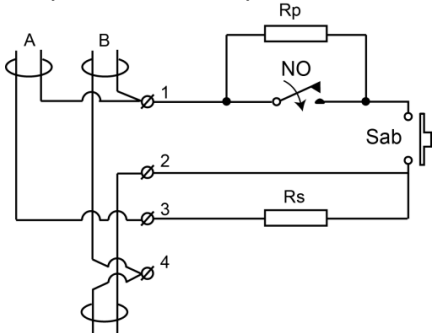
MK440 with two resistors mounted in the terminals for an end of line contact when only one contact used in the loop.



MK440 with built in resistors R_p & R_s

Loop A = End of line monitoring using two resistors

Loop B = Resistor R_p enables more contacts to be added to the loop.



VANDERBILT

MK440 - Series

Magnetic Contact

VANDERBILT

■ Technical Specifications

Alarm contact	
Contact rating	max 48V AC/DC / 400 mA
Estimated life expectancy	>20,000,000 operations @ 10V 4 mA
Operational Distances	
Make distance	35mm wood, 20mm steel
Break distance	40mm wood, 25mm steel
Ambient conditions	
Operating temperature	+5 ... +40 °C
Environmental Class EN50130-5:2011	Class 1
Humidity	≤ 95% RH, non-condensing
Housing protection	IP43
Housing Material	White, ABS plastic
Dimensions	
Housing L x H x W	65 x 14.8 x 20.6mm
Magnet L x W x H	65 x 14.5 x 14.8mm
Grade	Grade 2, Class 1
Approvals	EN, SBSC, F&P, FG, INCERT

■ Accessories

Type	Art.-No.	Description	Weight
MK400-3	N54536-Z230-A100	MK440-3, 3mm spacer for contact	3,5g
MK400-4	N54536-Z217-A100	MK440-4, 4mm spacer for magnet	3,0g
MK-4000-1	V54536-M105-A100	MK-4000-1 Mounting bracket – L.	31g
MK-4000-5	V54536-M108-A100	MK-4000-1 Mounting bracket – Z	34g

Ordering Information

Type	Art.-No.	Description	Weight
MK440	N54536-Z231-A100	MK440 Magnetic contact, white	31g
MK440-1K	N54536-Z207-A100	MK440-1K, magnetic contact, surface mount, 1K resistor	31g
MK440-2.2K	N54536-Z208-A100	MK440-2.2K, magnetic contact, surface mount, 2.2K resistor	31g

Issued by
Vanderbilt
Clonshaugh Business and
Technology Park
Clonshaugh
Dublin 17
Ireland
www.vanderbiltindustries.com

Data and design subject to change without notice.
Supply subject to availability.

VANDERBILT