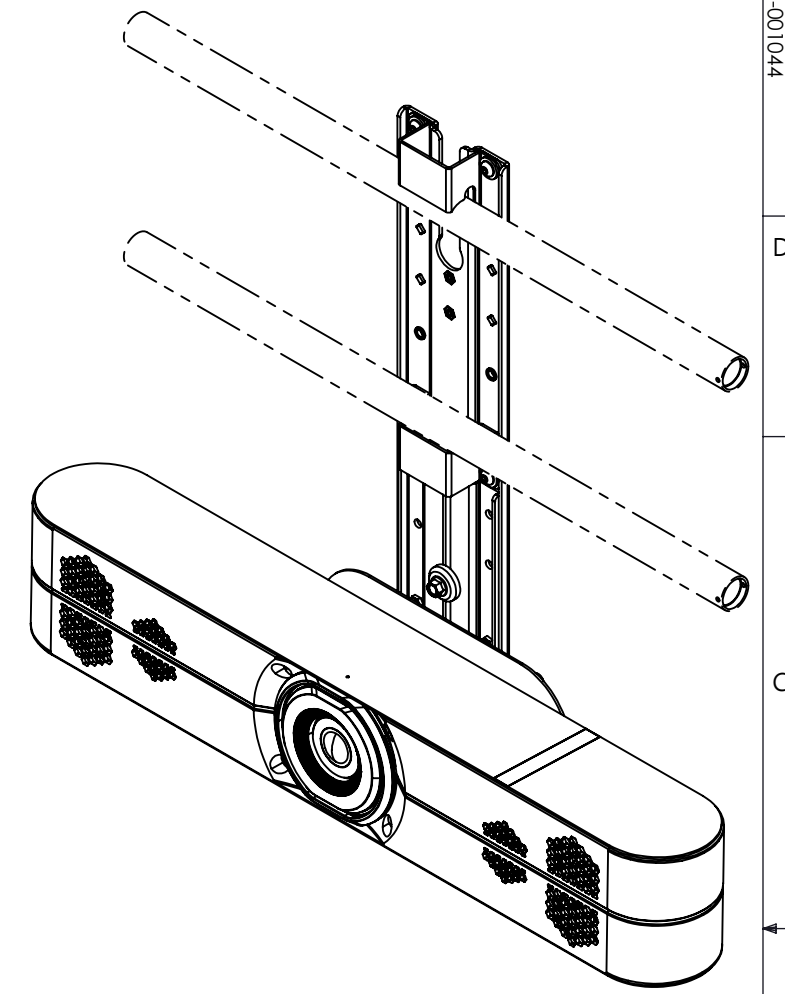
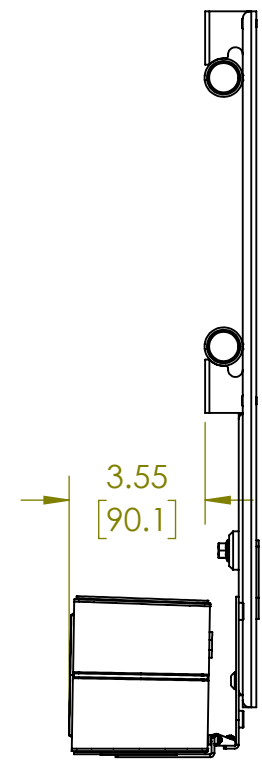
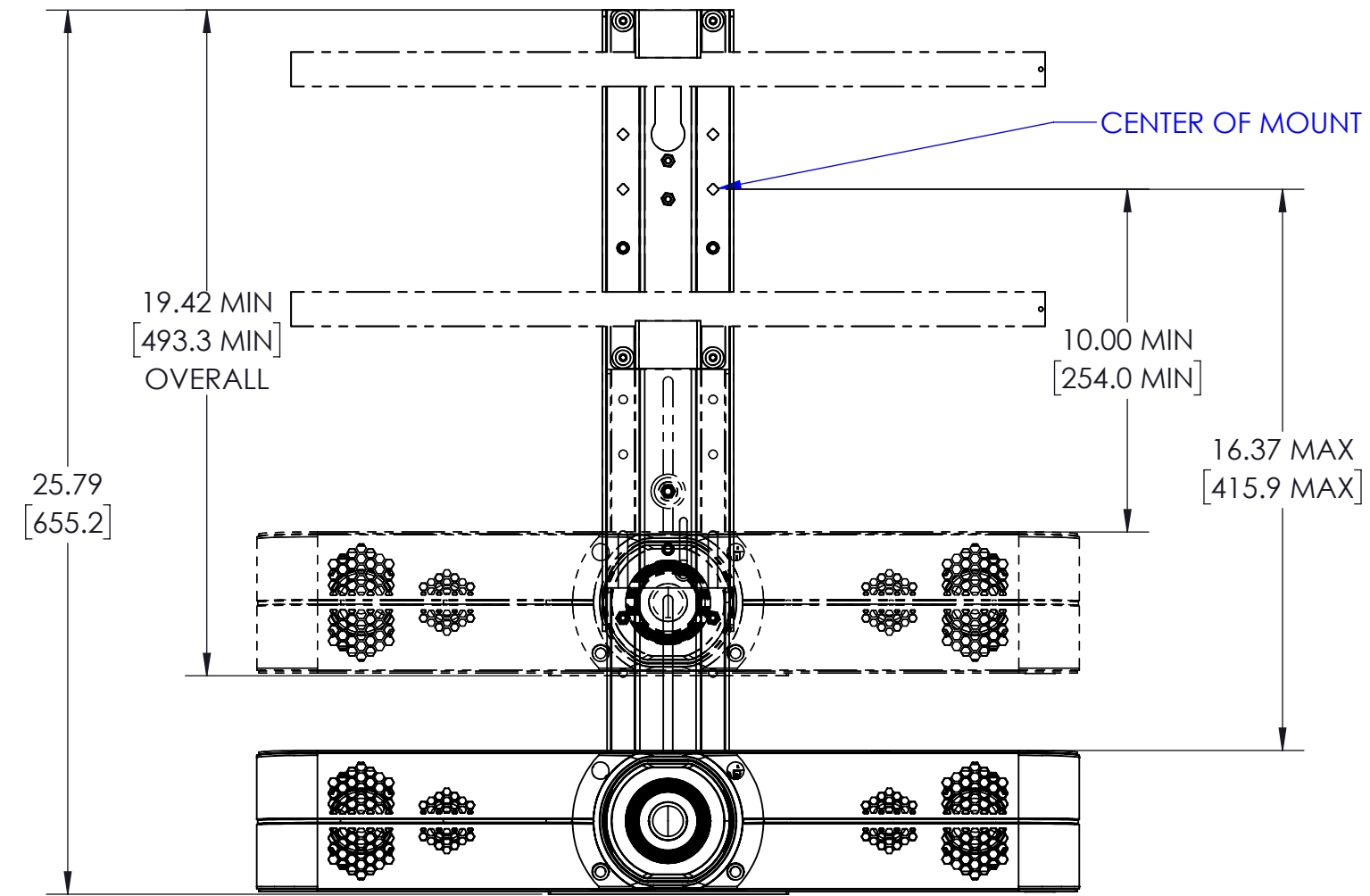


FUSION WALL BELOW MOUNT SETUP

D
C
B
A



(*):NOTES:

- TYPICAL FUSION INTERFACES ARE 0.5" [12.7] DEEP

*HUDDLESHOT SHOWN FOR ILLUSTRATIVE PURPOSES

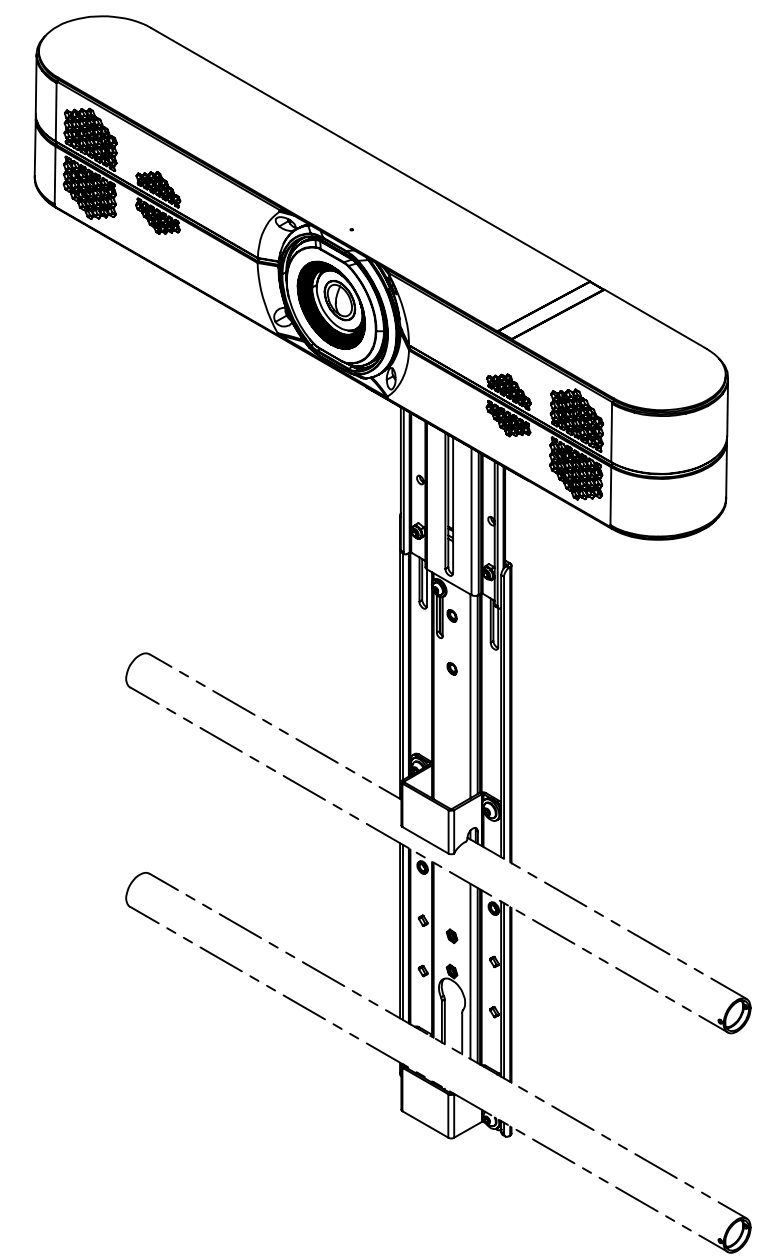
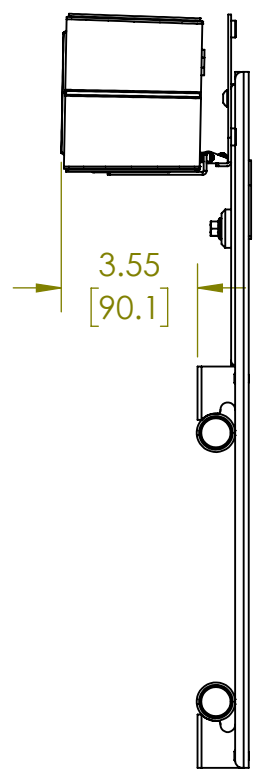
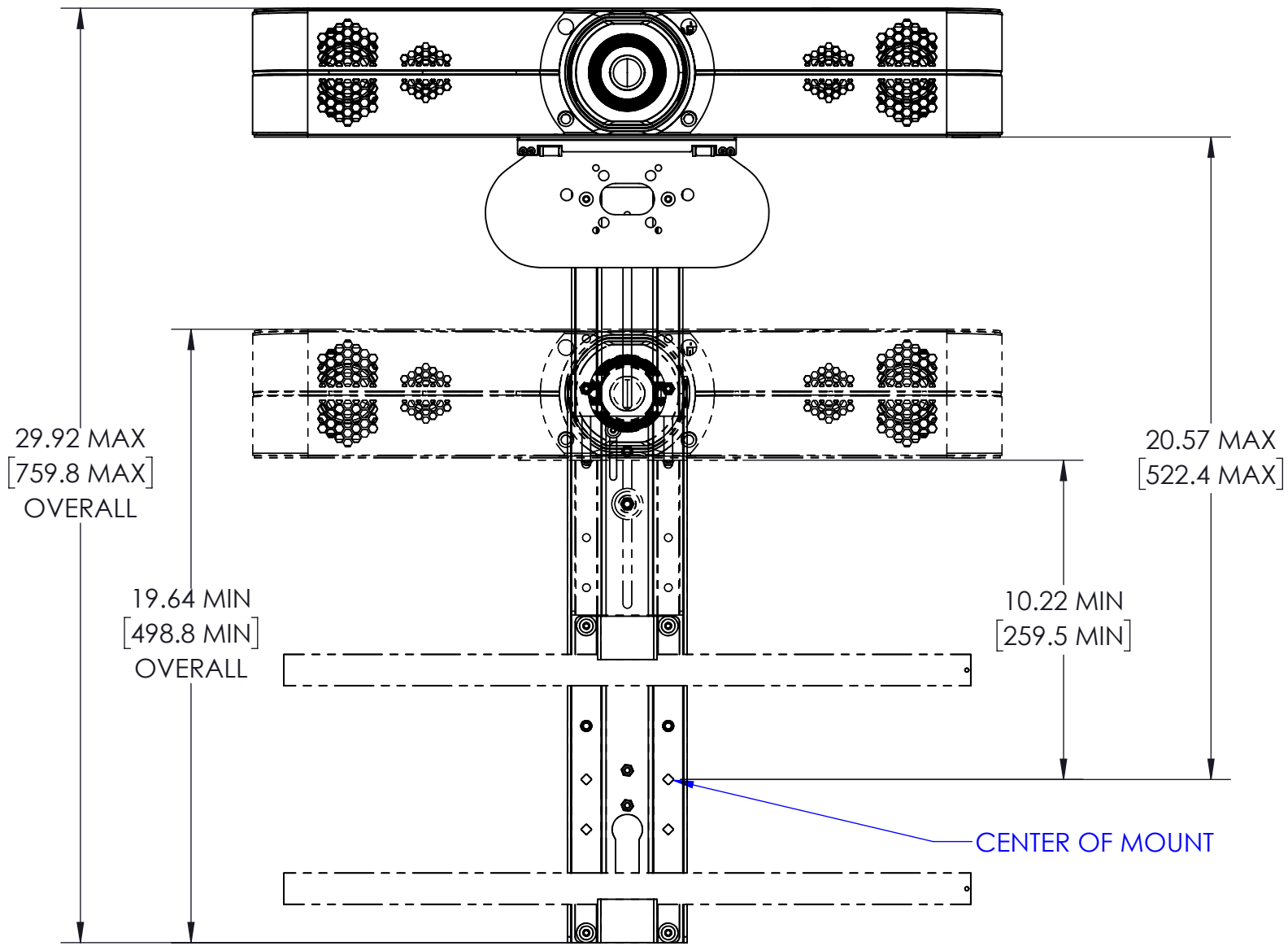
THE INFORMATION AND DESIGNS CONTAINED IN THIS DRAWING ARE CONFIDENTIAL AND THE PROPRIETARY PROPERTY OF MILESTONE AV TECHNOLOGIES NEITHER THIS DESIGN NOR ANY INFORMATION CONTAINED IN THIS DRAWING MAY BE REPRODUCED OR DISCLOSED TO OTHERS WITHOUT THE EXPRESS WRITTEN CONSENT OF MILESTONE AV TECHNOLOGIES.

CAD GENERATED DRAWING, DO NOT MANUALLY UPDATE.				6436 CITY WEST PKWY EDEN PRAIRIE, MN, 55344 PHONE: 866-977-3901 FAX: 877-894-6918	
DRAWN BY	JN	12/19/2019	DESCRIPTION		
ENG APPROVAL			TECH DRAWING, FCA800HS		
MFG APPROVAL			MODEL NO.		
QA APPROVAL			FCA800HS		
SHEET 1 OF 4		SCALE	SIZE	DWG. NO.	REV.
		1:5	B	TECH-001044	00

A

FUSION WALL ABOVE MOUNT SETUP

D
C
B
A



(*)NOTES:

- TYPICAL FUSION INTERFACES ARE 0.5" [12.7] DEEP

*HUDDLESHOT SHOWN FOR ILLUSTRATIVE PURPOSES

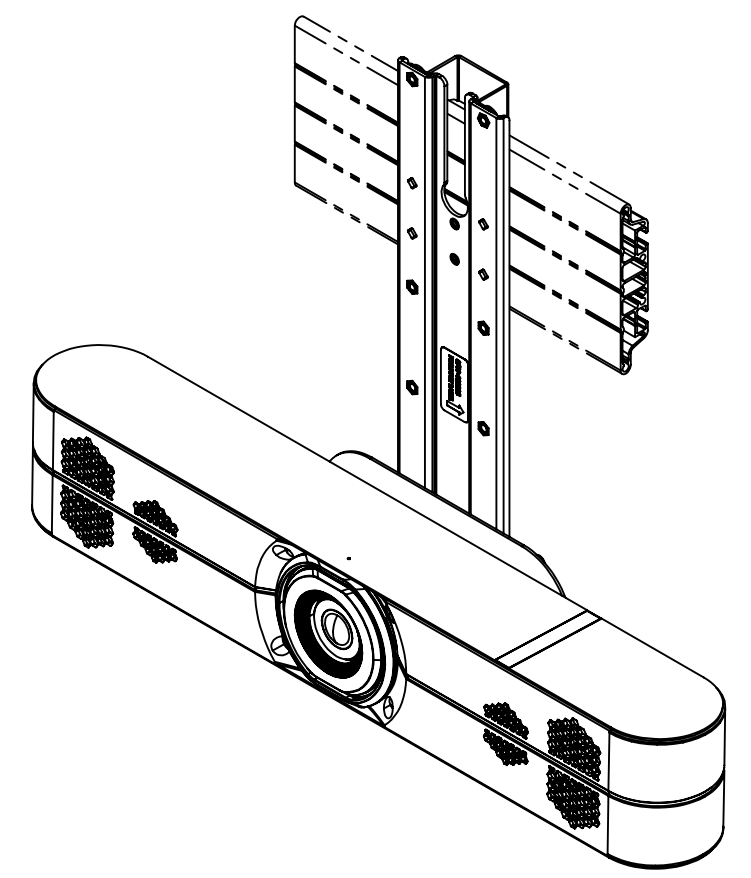
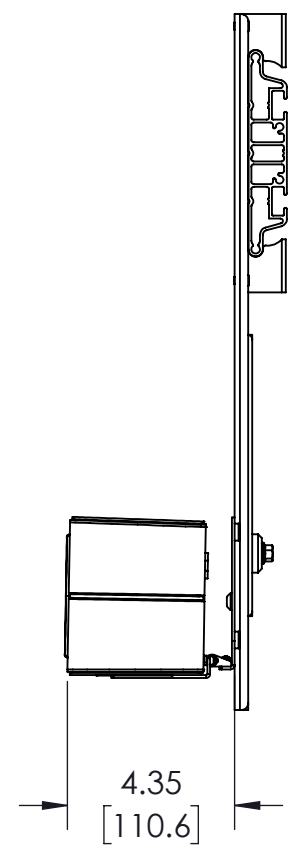
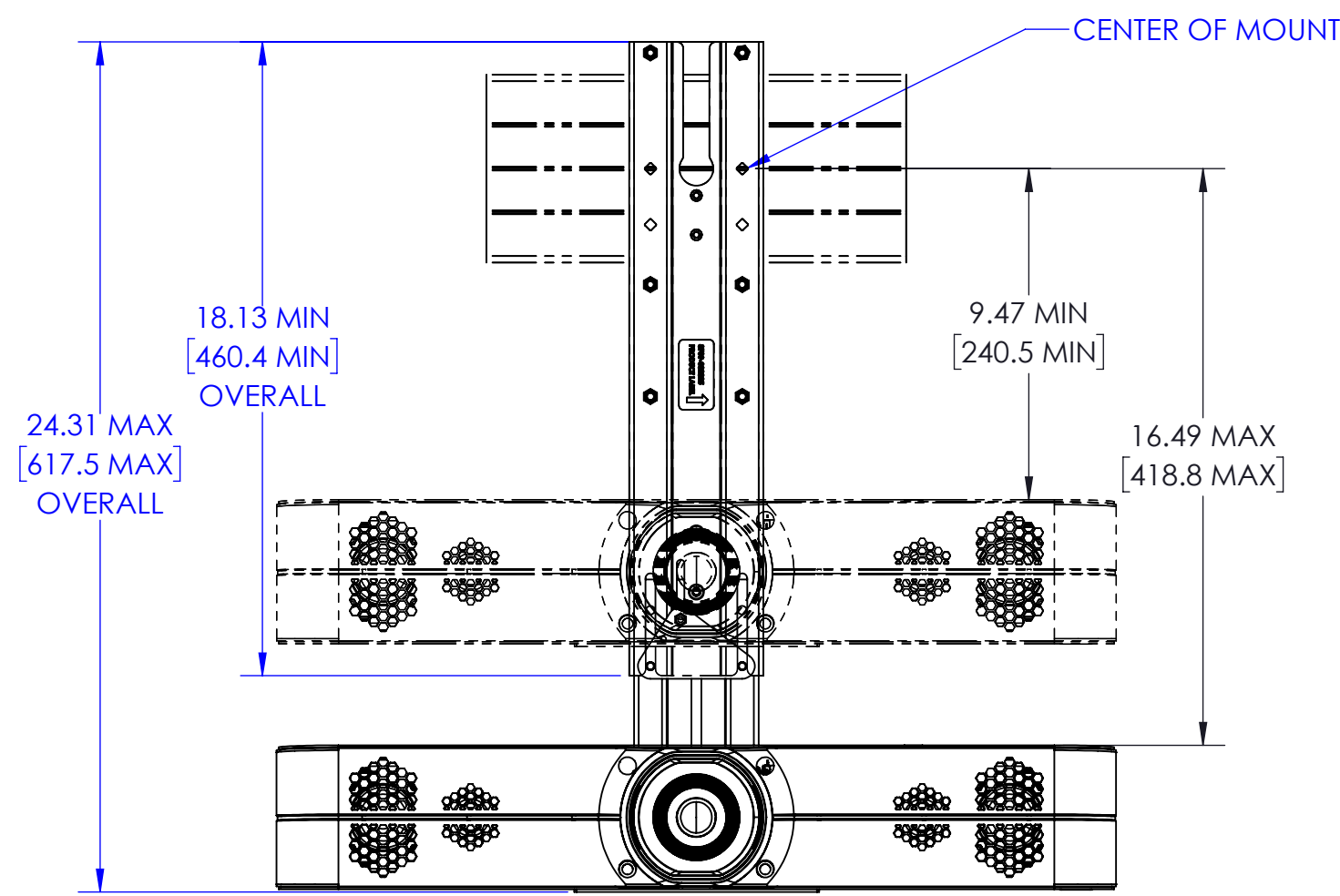
THE INFORMATION AND DESIGNS CONTAINED IN THIS DRAWING ARE CONFIDENTIAL AND THE PROPRIETARY PROPERTY OF MILESTONE AV TECHNOLOGIES NEITHER THIS DESIGN NOR ANY INFORMATION CONTAINED IN THIS DRAWING MAY BE REPRODUCED OR DISCLOSED TO OTHERS WITHOUT THE EXPRESS WRITTEN CONSENT OF MILESTONE AV TECHNOLOGIES.

CAD GENERATED DRAWING, DO NOT MANUALLY UPDATE.				6436 CITY WEST PKWY EDEN PRAIRIE, MN, 55344 PHONE: 866-977-3901 FAX: 877-894-6918	
DRAWN BY	JN	12/19/2019	DESCRIPTION		
ENG APPROVAL			TECH DRAWING, FCA800HS		
MFG APPROVAL			MODEL NO.		
QA APPROVAL			FCA800HS		
SHEET 2 OF 4		SCALE	SIZE	DWG. NO.	REV.
		1:5	B	TECH-001044	00

A

FUSION CEILING/CART BELOW MOUNT SETUP

D
C
B
A



(*)NOTES:

- TYPICAL SINGLE DISPLAY MODELS HAVE INTERFACE DEPTHS .5" [12.7]
- TYPICAL DUAL DISPLAY MODELS HAVE INTERFACE DEPTHS 1.9" [48.3]
- FCA623 DUAL MONITOR INTERFACES ARE 1.4" DEEP [35.6]

*HUDDLESHOT SHOWN FOR ILLUSTRATIVE PURPOSES

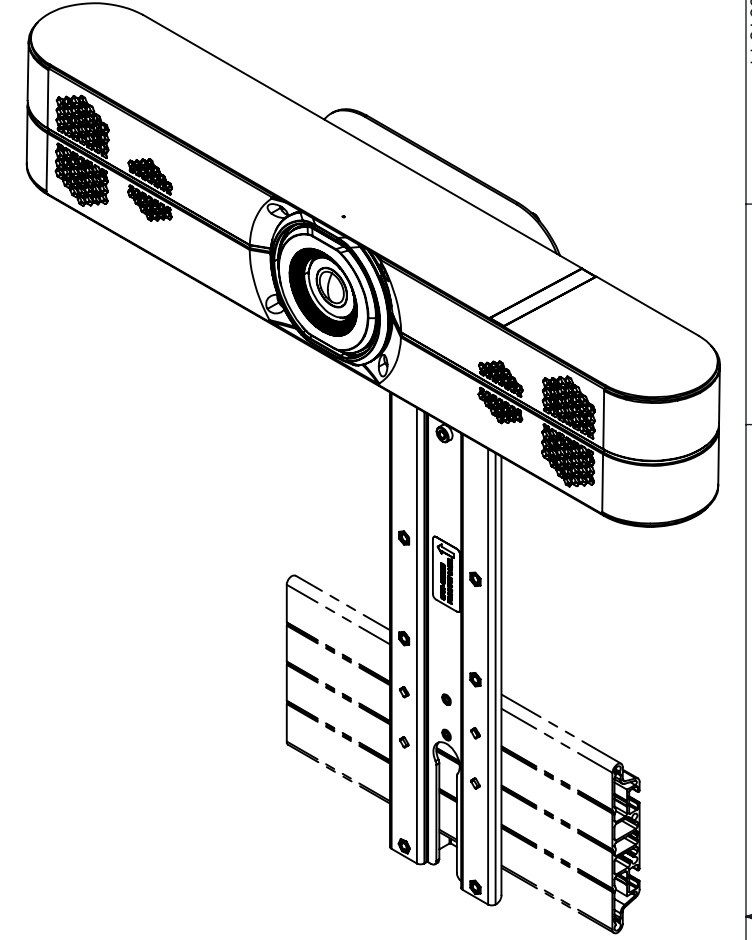
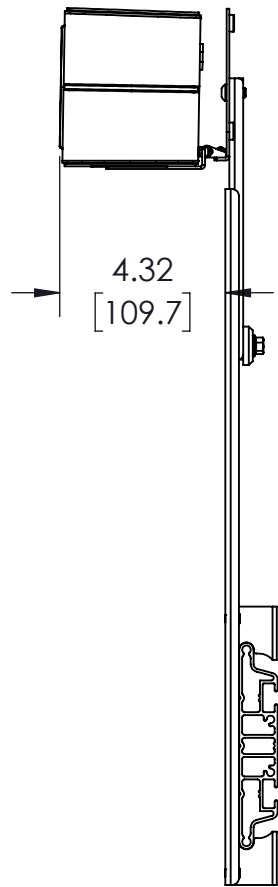
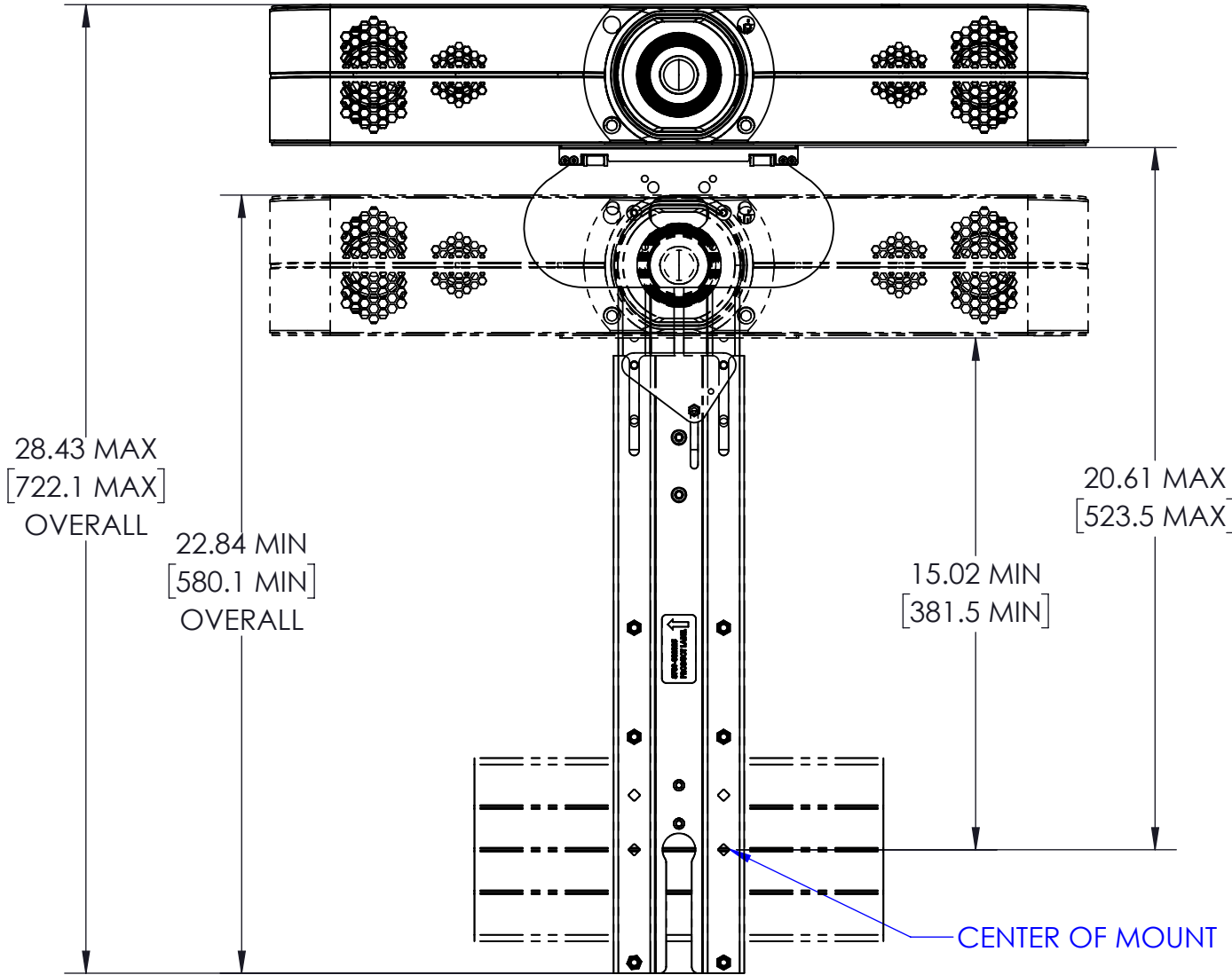
THE INFORMATION AND DESIGNS CONTAINED IN THIS DRAWING ARE CONFIDENTIAL AND THE PROPRIETARY PROPERTY OF MILESTONE AV TECHNOLOGIES NEITHER THIS DESIGN NOR ANY INFORMATION CONTAINED IN THIS DRAWING MAY BE REPRODUCED OR DISCLOSED TO OTHERS WITHOUT THE EXPRESS WRITTEN CONSENT OF MILESTONE AV TECHNOLOGIES.

CAD GENERATED DRAWING, DO NOT MANUALLY UPDATE.					6436 CITY WEST PKWY EDEN PRAIRIE MN, 55344 PHONE: 866-977-3901 FAX: 877-894-6918	
DRAWN BY	JN	12/19/2019	DESCRIPTION			
ENG APPROVAL			TECH DRAWING, FCA800HS			
MFG APPROVAL			MODEL NO.			
QA APPROVAL			FCA800HS			
SHEET 3 OF 4		SCALE	SIZE	DWG. NO.	REV.	
		1:5	B	TECH-001044	00	

A

FUSION CEILING/CART ABOVE MOUNT SETUP

D
C
B
A



D
C
B
A

(*)NOTES:

- TYPICAL SINGLE DISPLAY MODELS HAVE INTERFACE DEPTHS .5" [12.7]
- TYPICAL DUAL DISPLAY MODELS HAVE INTERFACE DEPTHS 1.9" [48.3]
- FCA623 DUAL MONITOR INTERFACES ARE 1.4" DEEP [35.6]

*HUDDLESHOT SHOWN FOR ILLUSTRATIVE PURPOSES

THE INFORMATION AND DESIGNS CONTAINED IN THIS DRAWING ARE CONFIDENTIAL AND THE PROPRIETARY PROPERTY OF MILESTONE AV TECHNOLOGIES NEITHER THIS DESIGN NOR ANY INFORMATION CONTAINED IN THIS DRAWING MAY BE REPRODUCED OR DISCLOSED TO OTHERS WITHOUT THE EXPRESS WRITTEN CONSENT OF MILESTONE AV TECHNOLOGIES.			CAD GENERATED DRAWING, DO NOT MANUALLY UPDATE.		 6436 CITY WEST PKWY EDEN PRAIRIE MN, 55344 PHONE: 866-977-3901 FAX: 877-894-6918	
DRAWN BY	JN	12/19/2019	DESCRIPTION TECH DRAWING, FCA800HS			
ENG APPROVAL			MODEL NO. FCA800HS			
MFG APPROVAL			SIZE DWG. NO. B TECH-001044			
QA APPROVAL			REV. 00			
SHEET 4 OF 4			SCALE 1:5			