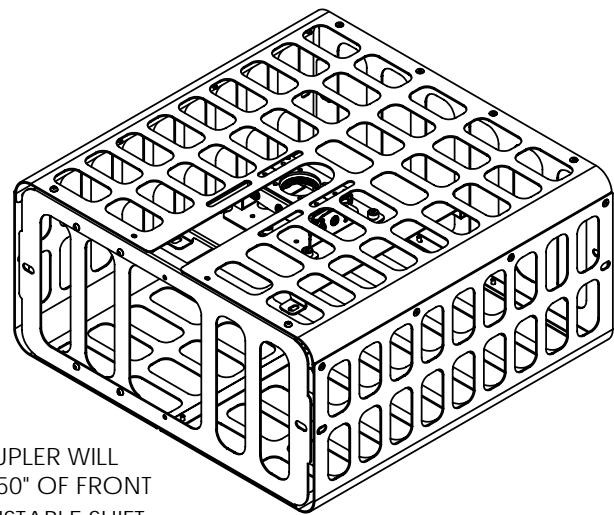
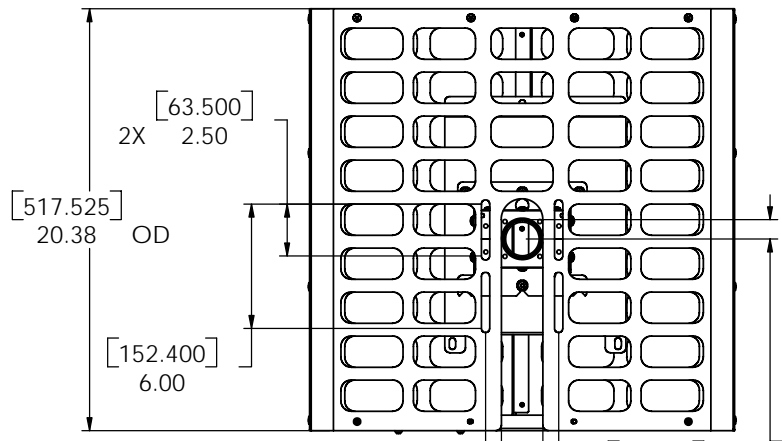
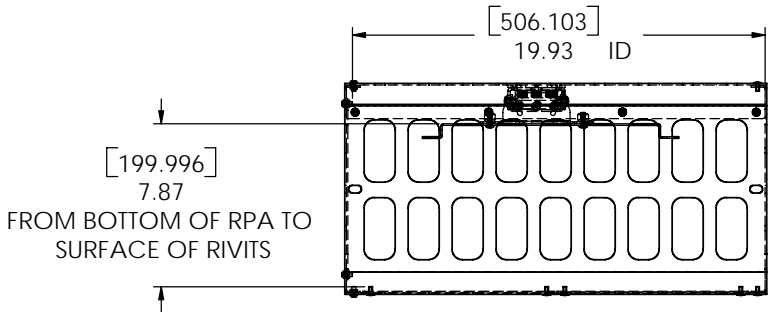
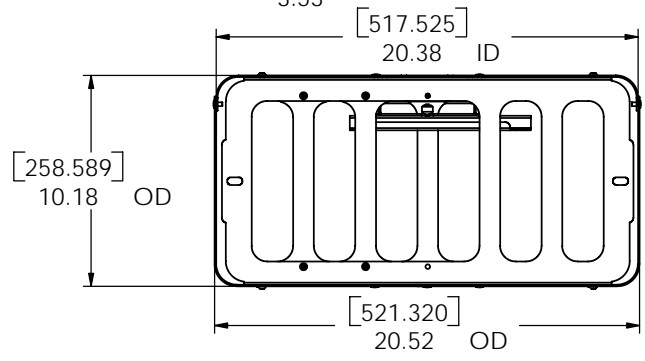


1 2 3 4 5 6 7 8



1.5" NPSM COUPLER WILL ALLOW FOR 4.50" OF FRONT TO BACK ADJUSTABLE SHIFT .



CHIEF MANUFACTURING INC.

MOUNT ORDER NUMBER IS PG1A
PHONE: 1-800-582-6480

RPA AND SLB BRACKET SOLD SEPARATELY.

HEIGHT DIMENSION DOSE NOT INCLUDE SLB/SLM INTERFACE, YOU MUST ALLOW FOR .25" TO .75" LESS HEIGHT FROM BOTTOM OF RPA DIMENTION FOR SLB/SLM INTERFACE .

RPM SERIES MOUNT REDUCES MAXIMUM HEIGHT BY 1.00"

MAXIMUM HEIGHT USING RPA SERIES MOUNT =7.62" TO 7.12"
MAXIMUM HEIGHT USING RPM SERIES MOUNT =6.62" TO 6.12"



THE INFORMATION AND DESIGNS CONTAINED IN THIS DRAWING ARE CONFIDENTIAL AND THE PROPRIETARY PROPERTY OF CHIEF MFG., INC. NEITHER THIS DESIGN NOR ANY INFORMATION CONTAINED IN THIS DRAWING MAY BE REPRODUCED OR DISCLOSED TO OTHERS WITHOUT THE EXPRESS WRITTEN CONSENT OF CHIEF MFG., INC.

CHIEF 8401 EAGLE CREEK PKY
SAVAGE, MN 55378
PHONE: 952-894-6280
FAX: 877-894-6918

TITLE
CUSTOMER PRINT
PG1A PROJECTOR GUARD,

SEE DWG. NO.
B BRACKET ORDER # PG1A

1 2 3 4 5 6 7 8