



Connect the Dots with Tosibox



Do it Easily.
Build and manage secure OT infrastructure in minutes



Do it Automatically.
Connect anything, anywhere - all automated.



Do it Cybersecurely.
You own the data and it's always encrypted.

TOSIBOX® 695

5G enabled Plug & Go™ connectivity device

Unleash the power of 5G cellular connectivity and LTE fallback with the TOSIBOX® 695 - a game-changer for networking professionals! Crafted with precision and engineered for toughness, the TOSIBOX® 695 boasts a robust metal alloy casing complemented by an extensive temperature range and an IP30 Ingress Protection Rating. It's built to thrive in challenging environmental conditions.

With all the connectivity interfaces you need, this device is tailor-made for power-hungry applications in the most demanding industrial settings. Count on it for speed and reliability at the core of your solutions.

Our Tosibox 600 series offers versatile connectivity options seamlessly integrated with state-of-the-art cybersecurity technology from Tosibox. It's the ideal choice for a wide range of applications, ensuring your network stays secure. TOSIBOX® 695 seamlessly integrates with your existing Tosibox network.

High performance

- Massive VPN throughput for data-consuming applications, ensuring secure, lightning-fast connectivity
- End-to-end encryption between Tosibox devices, users, and servers for utmost data security

Reliability

- Integrated WiFi for seamless connectivity or as an access point for wireless devices on-site
- A built-in 5G/LTE modem with cellular speeds exceeding 3 Gbps, guaranteeing ultra-fast and dependable connections
- Dual-SIM slots for operator redundancy, enhancing reliability and ensuring uninterrupted connectivity
- TosiOnline™ automatic reconnection of dropped connections, maintaining a stable and continuous network experience

Industrial design

- Robust and fanless enclosure designed for industrial environments, with easy DIN rail attachment for versatile installation options
- Extended IP30 rating for durability and protection against harsh environmental conditions
- Operating temperature range from -40 °C to +75 °C (-40 °F to +167 °F), ensuring reliable performance in extreme climates and settings

TOSIBOX® 695 Technical Data

Product codes

TBN695EU, TBL695EU

Ports

- 1 x RJ-45 WAN connection, 10/100/1000 Mb/s, auto-negotiation (MDI / MDI-X)
- 4 x RJ-45 LAN connection, 10/100/1000 Mb/s, auto-negotiation (MDI / MDI-X)
- 1 x USB 2.0, type A

Connections

- 4 pin industrial DC power socket
- 9-50V DC, reverse polarity protection, voltage surge/transient protection
- 2 x RP-SMA for WiFi
- 4 x SMA for 5G/LTE
- 1 x GNSS
- DIN rail mounting slot in the back and on both sides
- Maximum power consumption 18W

Connection features

- 4-way WAN priority
- Proxy server support
- WAN access with static addressing or DHCP
- Network Time Protocol (NTP) server
- Automatic LAN network discovery
- LAN access with mixed static addressing and DHCP server
- Static routes
- GNSS coordinates display on UI via GPS, GLONASS, BeiDou, Galileo and QZSS
- Works in all Internet connections (operator independent)
- Firewall friendly
- Works with dynamic, static and private IP addresses
- Built-in firewall, NAT
- Up to 50 concurrent VPN connections
- Aggregate VPN throughput up to 70 Mbps
- Single VPN throughput up to 25 Mbps
- TosiOnline Automatic network recovery that recovers from most mobile operator and modem problems

5G/LTE Module

- Cellular module: Quectel RG501Q-EU
- Region: EMEA/APAC/Brazil (excluding China)
- Sub-6 GHz
- 5G SA Sub-6 up to 2.1 Gbps DL, 900 Mbps UL
- 5G NSA Sub-6 up to 3.3 Gbps DL, 600/650 Mbps UL
- LTE-FDD up to 2 Gbps DL, 200 Mbps UL
- Dual SIM single standby
- All antennas are equal

Frequency Bands

- 5G NR: n1, n3, n5, n7, n8, n20, n28, n38, n40, n41, n77, n78
- LTE-FDD: B1, B3, B5, B7, B8, B20, B28, B32
- LTE-TDD: B38, B40, B41, B42, B43
- WCDMA: B1, B5, B8

WLAN

- IEEE 802.11 b/g/n, 2.4 GHz, max. 150 Mbps
- Encryptions WEP, WPA-PSK, WPA2-PSK, WPA-PSK/WPA2-PSK mixed mode
- Frequency 2.412 – 2.462 GHz, 11 channels
- Access point or client mode
- Output power 20 dBm max

I/O specifications

- 1 x Digital input, 0 - 6 V detected as logic low, 8 - 30 V detected as logic high
- 1 x Digital output, open collector output, max output 30 V, 300 mA
- Software configurable I/O state
- Requires separate I/O cable (TB600PAC1 or TB600PAC2)

Included accessories

- Power supply unit
 - AC adapter - Input 100 – 240 V AC, frequency 50/60Hz, 0,6A, Output 12.0 V, 1.5 A, max 18 W
- 4 x LTE antennas (swivel, SMA male)
- 2 x WiFi antennas (swivel, RP-SMA male)
- 1 x GNSS antenna (adhesive, SMA male, 3 m cable)
- Power plug with contact terminals
- DIN rail mount
- Ethernet cable (1.5 m)

Physical properties

- 132 mm x 44.2 mm x 95.1 mm / 5.19" x 1.74" x 3.74" (W x H x L)
- Protection class IP30
- Weight 533 g / 1.17 lbs (net weight article)
- Storage temperature -40 °C ... +75 °C / -40 °F ... +167 °F
- Operating temperature -40 °C ... +75 °C / -40 °F ... +167 °F
- Power supply operating temperature -10 °C ... +40 °C / 14°F ... +104 °F
- Power storage temperature -20 °C ... +70 °C / -4°F ... +158 °F

Tosibox

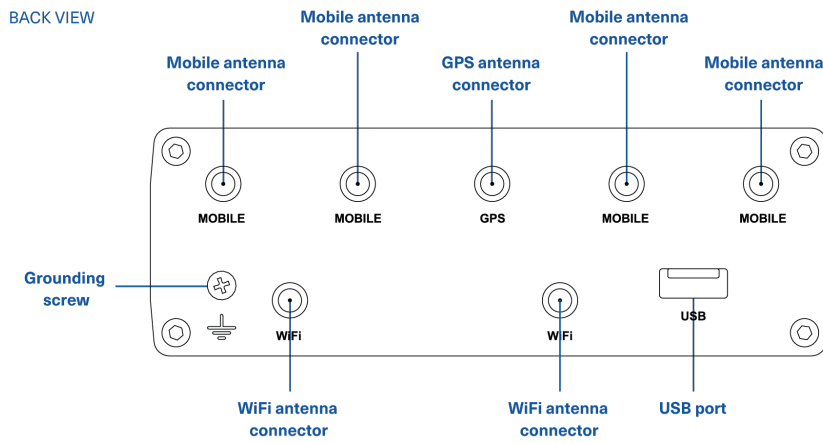
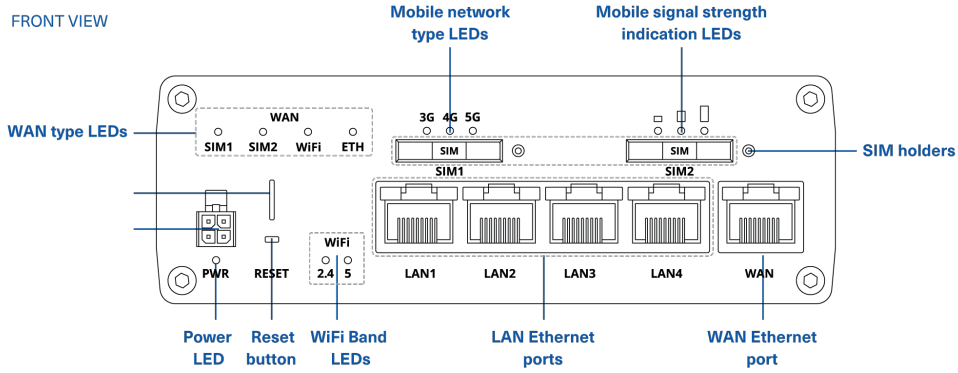
sales@tosibox.com
support@tosibox.com
www.tosibox.com



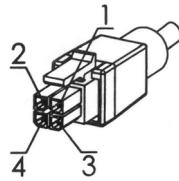
TOSIBOX

Copyright © 2023 Tosibox. All rights reserved.

TOSIBOX® 695 Technical Data



Power plug



1. Power / +VDC
2. GND / 0 VDC
3. Digital Input
4. Digital Output

Tosibox

sales@tosibox.com
support@tosibox.com
www.tosibox.com



TOSIBOX

Copyright © 2023 Tosibox. All rights reserved.